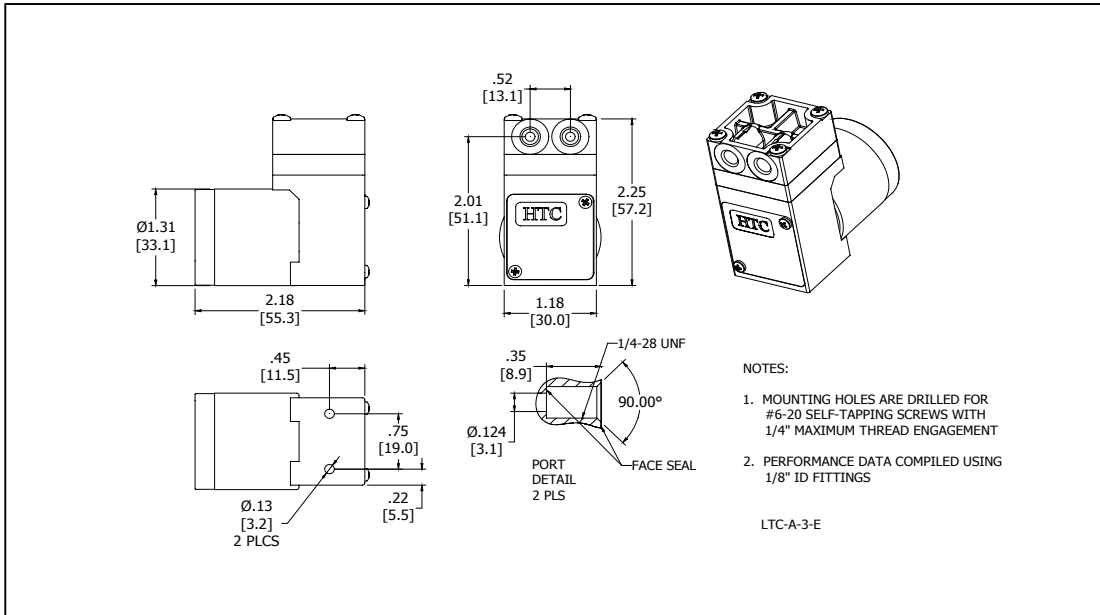
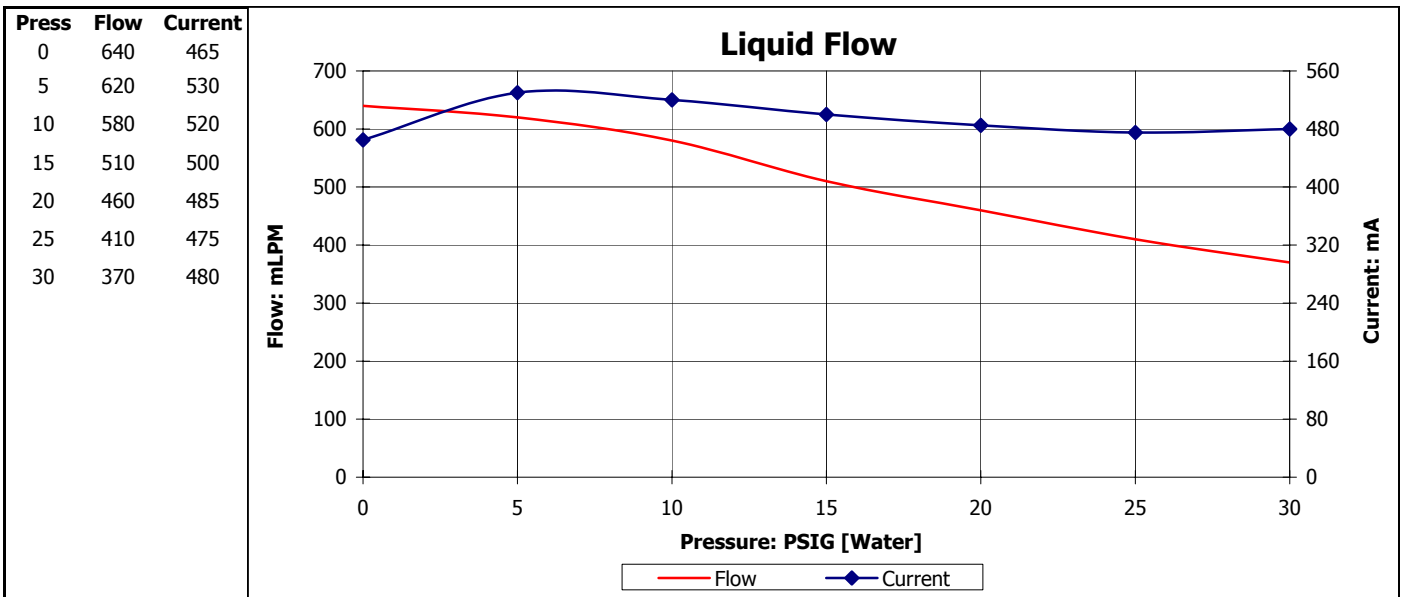


Dimensional Layout:



Specifications:

1. Wetted Materials:	Pump Head:	Vectra [LCP]	3. Electrical:	Motor:	Brushless Dual Bearing	
	Valves:	AEPDM [Q80]		Operating Voltage:	12.0 VDC	
	Diaphragm:	EPDM [M65-350]	In-rush Current:	5 x Operating Current for up to 50 ms		
	Gasket:	EPDM [80]	Recommended Fusing:	Slow Blow @ 2 x Operating Current		
2. Performance:		<u>Continuous</u>	<u>Maximum</u>	4. Other:	Temperature Range:	5 - 50° C
	- Vacuum: in Hg [Air]	14.5	14.5		Free Flow Liquid RPM:	3200
	- Pressure: PSIG [Air]	15.5	15.5		Eccentric:	A300
	- Pressure: PSIG [Water]	30.0	30.0	5. Operating Limitations:	Not configured for pressures above 30 PSIG.	



The above graph denotes nominal performance at 800' above sea level, 24°C, and at the specified voltage. Performance may vary with other fluids.

PR