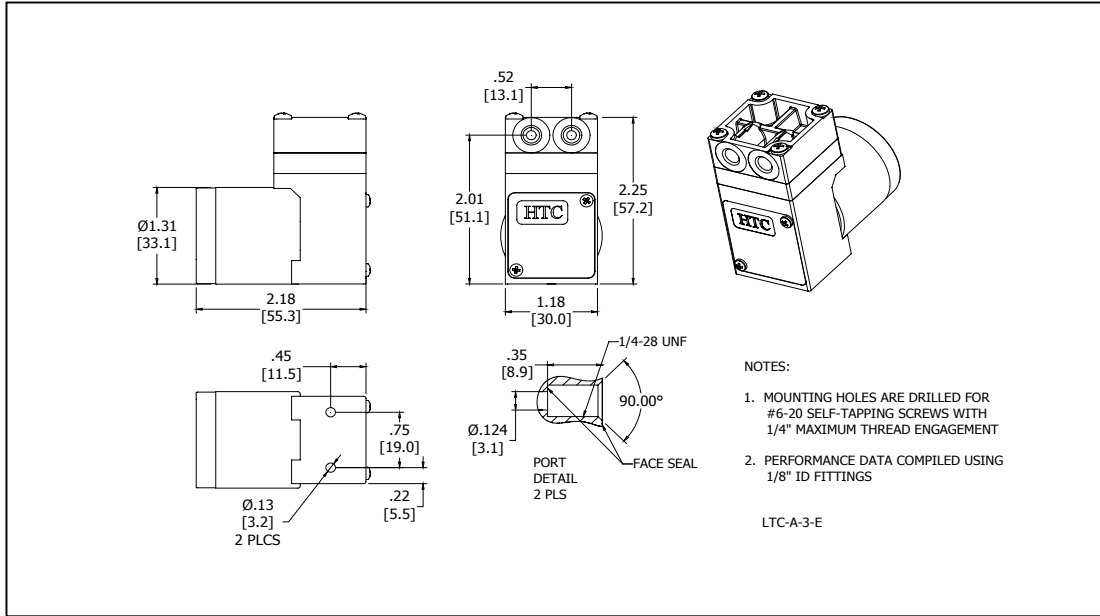
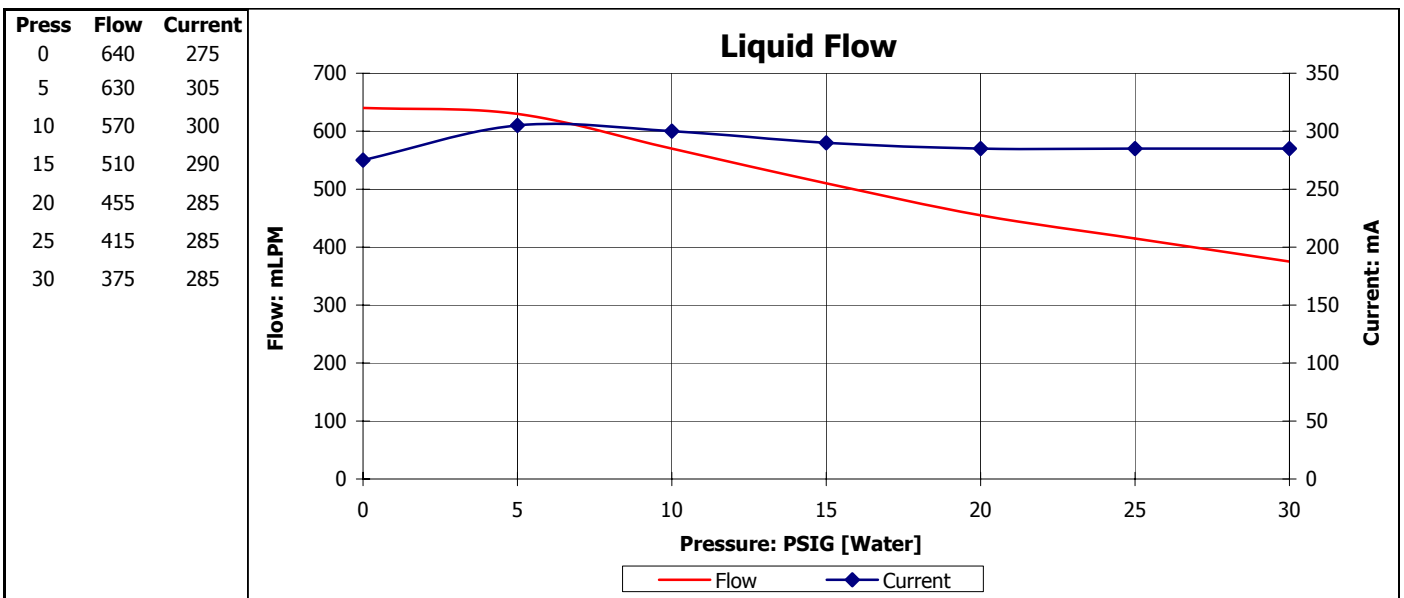


**Dimensional Layout:**



**Specifications:**

- |                             |                          |                   |                       |  |   |           |
|-----------------------------|--------------------------|-------------------|-----------------------|--|---|-----------|
| <b>1. Wetted Materials:</b> | Pump Head:               | Vectra [LCP]      | <b>3. Electrical:</b> | Motor:                                   | Brushless Dual Bearing                      |           |
|                             | Valves:                  | AEPDM [Q80]       |                       | Operating Voltage:                       | 24.0 VDC                                    |           |
|                             | Diaphragm:               | EPDM [M65-350]    | In-rush Current:      | 5 x Operating Current<br>for up to 50 ms |   |           |
|                             | Gasket:                  | EPDM [80]         | Recommended Fusing:   | Slow Blow @ 2 x<br>Operating Current     |   |           |
| <b>2. Performance:</b>      |                          | <u>Continuous</u> | <u>Maximum</u>        | <b>4. Other:</b>                         | Temperature Range:                          | 5 - 50° C |
|                             | - Vacuum: in Hg [Air]    | 14.5              | 14.5                  |  | Free Flow Liquid RPM:                       | 3200      |
|                             | - Pressure: PSIG [Air]   | 15.5              | 15.5                  |  | Eccentric:                                  | A300      |
|                             | - Pressure: PSIG [Water] | 30.0              | 30.0                  | <b>5. Operating Limitations:</b>         | Not configured for pressures above 30 PSIG. |           |



The above graph denotes nominal performance at 800' above sea level, 24°C, and at the specified voltage. Performance may vary with other fluids.

**PR**