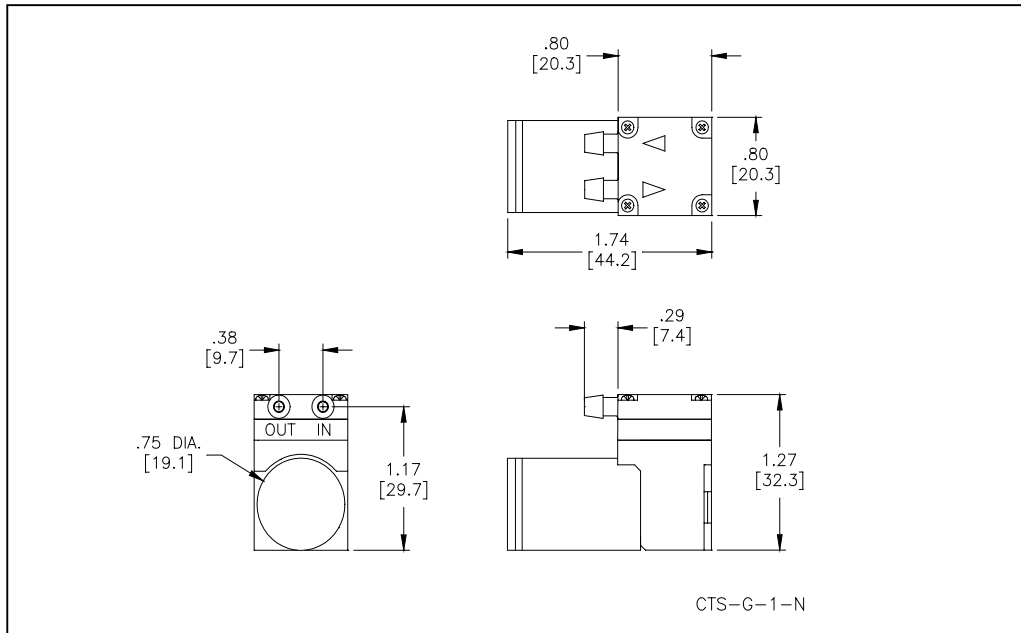
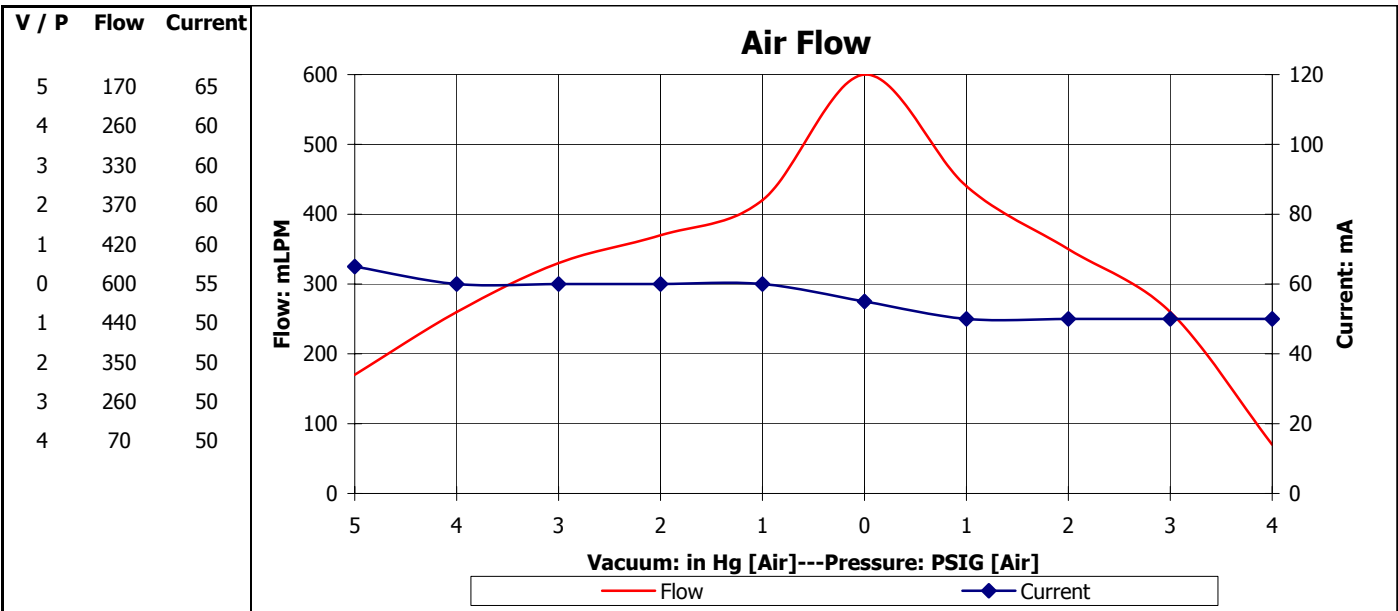


Dimensional Layout:



Specifications:

1. Wetted Materials:	Pump Head:	Polysulfone	3. Electrical:	Motor:	Coreless Dual Bearing
	Retainer Washer:	Polysulfone		Operating Voltage:	12 VDC
2. Performance:	Retainer Screw:	18-8 Stainless	4. Other:	In-rush Current:	5 x Operating current for up to 50 ms
	Valves:	EPDM [65]		Recommended Fusing:	Slow Blow @ 2 x Operating Current
	Diaphragm:	AEPDM [F80]		Temperature Range:	5 - 50° C
				Free Flow RPM:	7400
			Eccentric:	E130	



The above graph denotes nominal performance at 800' above sea level, 24°C, and at the specified voltage.

PR