

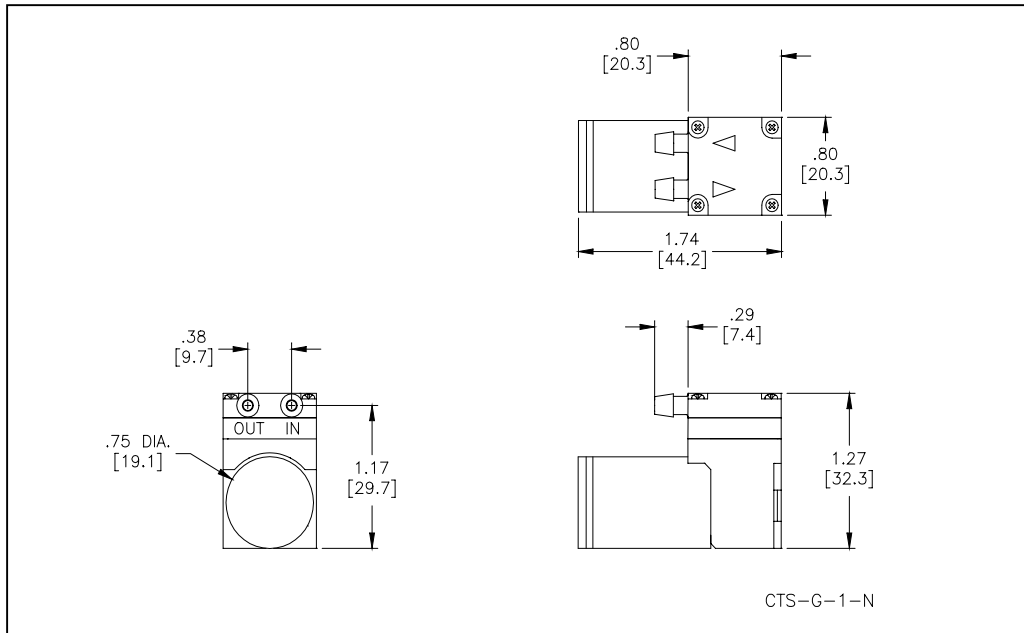


HARGRAVES

Moorestville, North Carolina 28117
 T: 704-662-3500 F: 704-662-8744
 www.hargravestfluidics.com

Part No.: **E191-11-090**
 Model No.: **A.1F04N1.G09VDC**
 Description: **CTS Diaphragm Pump,
 Coreless Motor**

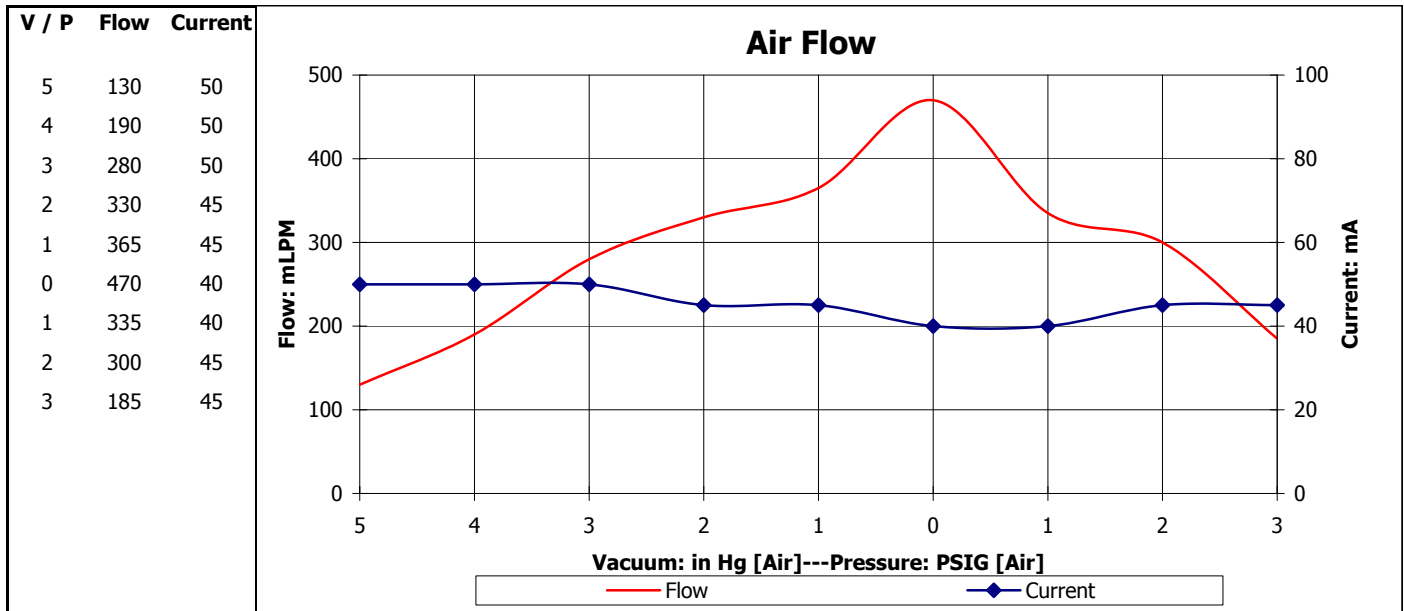
Dimensional Layout:



Specifications:

1. Wetted Materials:	Pump Head:	Polysulfone	3. Electrical:	Motor:	Coreless Dual Bearing	
	Retainer Washer:	Polysulfone		Operating Voltage:	9 VDC	
	Retainer Screw:	18-8 Stainless		In-rush Current:	5 x Operating current for up to 50 ms	
	Valves:	EPDM [65]		Recommended Fusing:	Slow Blow @ 2 x Operating Current	
	Diaphragm:	AEPDM [F80]				
2. Performance:		<u>Continuous</u>	<u>Maximum</u>	4. Other:	Temperature Range:	5 - 50° C
	- Vacuum: in Hg [Air]	7.5	7.5		Free Flow RPM:	5400
	- Pressure: PSIG [Air]	5.0	5.0		Eccentric:	E130

5. Operating Limitations:



The above graph denotes nominal performance at 800' above sea level, 24°C, and at the specified voltage.

PR