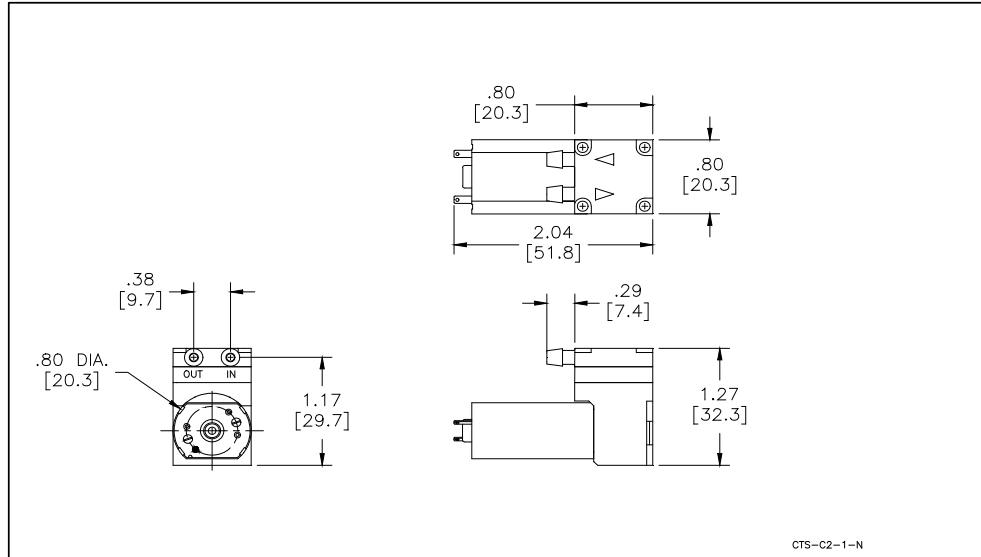




Part No.: **E129-12-090**  
 Model No.: **A.1C20N2.C09VDC**  
 Description: **CTS Diaphragm Pump, Brush Motor**

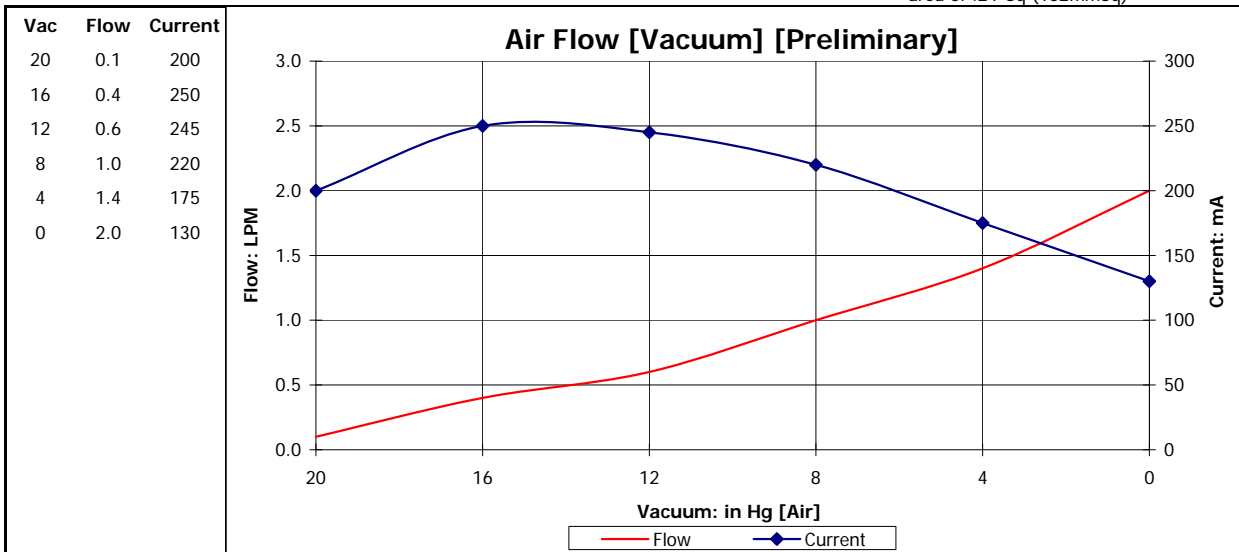
Mooresville, North Carolina 28117  
 T: 704-662-3500 F: 704-662-8744  
 www.hargravesfluidics.com

**Dimensional Layout:**



**Specifications:**

- |                             |                  |                |                       |                                       |                      |
|-----------------------------|------------------|----------------|-----------------------|---------------------------------------|----------------------|
| <b>1. Wetted Materials:</b> | Pump Head:       | Polysulfone    | <b>3. Electrical:</b> | Motor:                                | Brush Sleeve Bearing |
|                             | Retainer Washer: | Polysulfone    |                       | Operating Voltage:                    | 9.0 VDC              |
|                             | Retainer Screw:  | 18-8 Stainless | In-rush Current:      | 5 x Operating Current for up to 50 MS |                      |
|                             | Valves:          | EPDM [65]      | Recommended Fusing:   | Slow Blow @ 2 x Operating Current     |                      |
|                             | Diaphragm:       | EPDM [C65]     |                       |                                       |                      |
- 
- |                        |                       |                   |                |                  |                    |           |
|------------------------|-----------------------|-------------------|----------------|------------------|--------------------|-----------|
| <b>2. Performance:</b> |                       | <u>Continuous</u> | <u>Maximum</u> | <b>4. Other:</b> | Temperature Range: | 5 - 50° C |
|                        | - Vacuum: in Hg [Air] | 12.0              | 22.0           |                  | Free Flow RPM:     | 5900      |
|                        |                       |                   |                | Eccentric:       | E535               |           |
- 
- 5. Operating Limitations:** Not configured for pressure operation
- 6. Recommended Filtration:** 40 Micron media w/ a minimum surface area of .24"Sq (152mmSq)



The above graph denotes nominal performance at 800' above sea level, 24°C, and at the specified voltage.

**PR**