

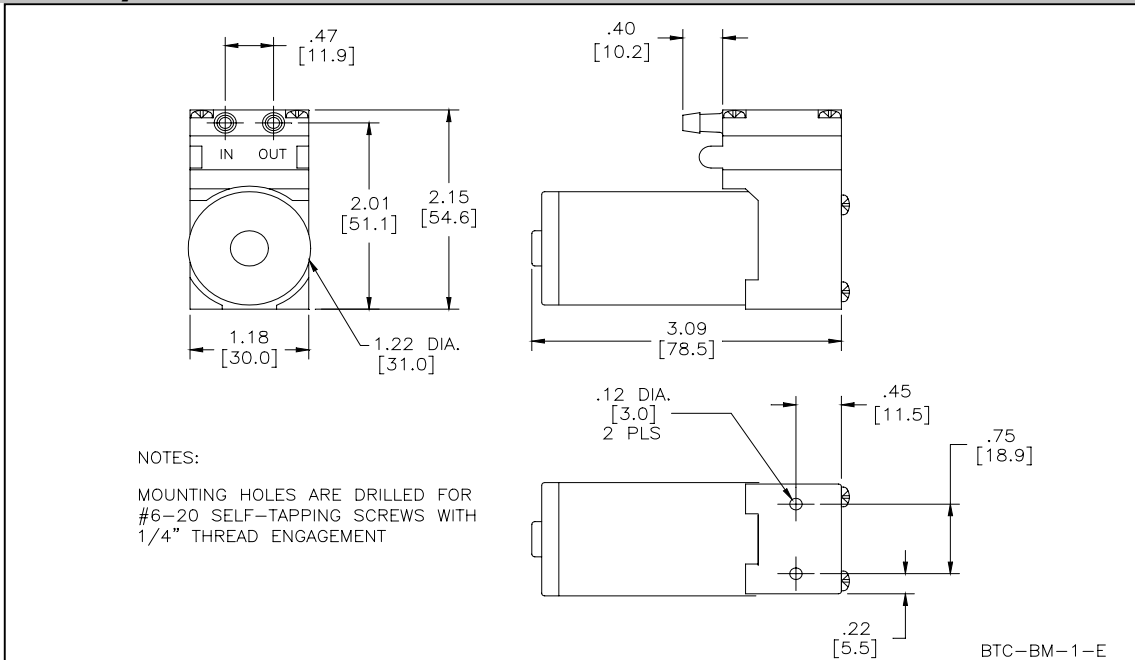


HARGRAVES

Mooresville, North Carolina 28117
T: 704-662-3500 F: 704-662-8744
www.hargraveshfluidics.com

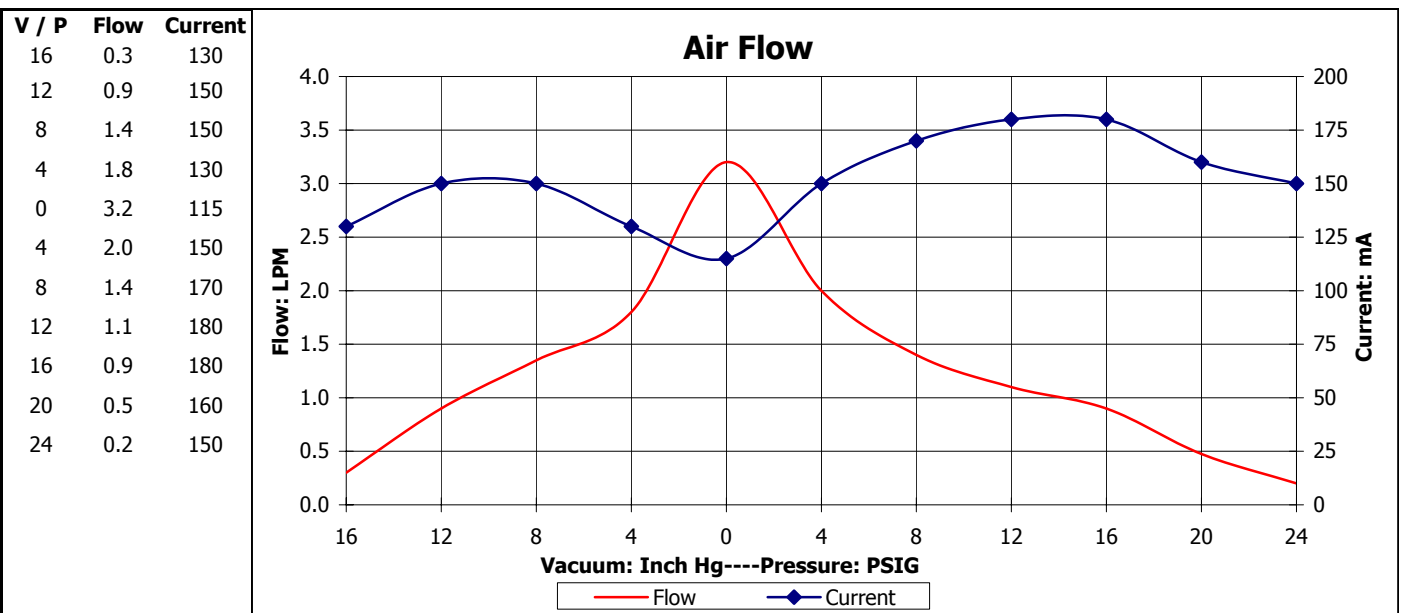
Part No.: **H084-11**
Model No.: **B.1F32E1.B24VDC**
Description: **BTC Diaphragm Pump,
Brush Motor**

Dimensional Layout:



Specifications:

- | | | | | | | |
|-----------------------------|------------------------|---------------------|-----------------------|----------------------------------|--|-----------|
| 1. Wetted Materials: | Pump Head: | Vectra [LCP] | 3. Electrical: | Motor: | Brush, Dual Bearing | |
| | Retainer Washer: | 303 Stainless [800] | | Operating Voltage: | 24.0 VDC | |
| | Retainer Screw: | 316 Stainless | | In-rush Current: | 5 x Operating Current
for up to 50 ms | |
| | Valves: | EPDM [Q55] | | Recommended Fusing: | Slow Blow @ 2 x
Operating Current | |
| | Diaphragm: | AEPDM [F80] | | | | |
| | Gasket: | EPDM [65] | | | | |
| 2. Performance: | | <u>Continuous</u> | <u>Maximum</u> | 4. Other: | Temperature Range: | 5 - 50° C |
| | - Vacuum: in Hg [AIR] | 18.0 | 18.0 | | Free Flow RPM: | 3500 |
| | - Pressure: PSIG [AIR] | 24.0 | 24.0 | | Eccentric: | C465 |
| | | | | 5. Operating Limitations: | N/A | |



The above graph denotes nominal performance at 800' above sea level, 24°C, and at the specified voltage.

ST