

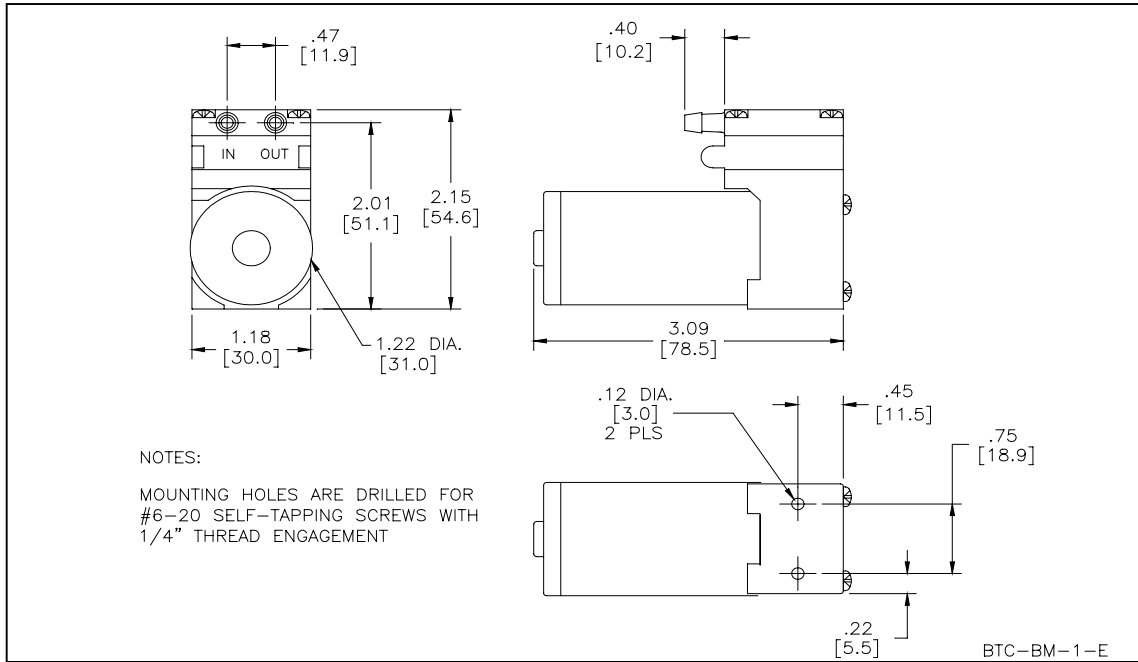


HARGRAVES

Mooresville, North Carolina 28117  
 T: 704-662-3500 F: 704-662-8744  
 www.hargraveshfluidics.com

Part No.: **H041B-11**  
 Model No.: **B.1F32E1.B06VDC**  
 Description: **BTC Diaphragm Pump, Brush Motor**

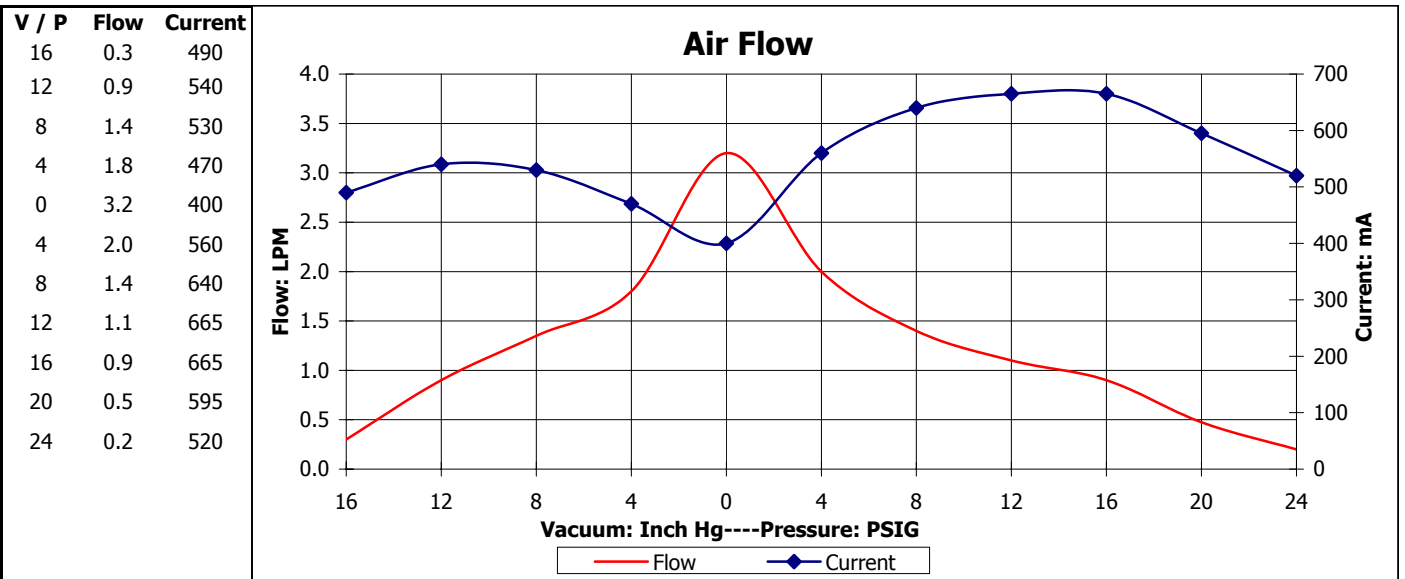
**Dimensional Layout:**



NOTES:  
 MOUNTING HOLES ARE DRILLED FOR #6-20 SELF-TAPPING SCREWS WITH 1/4" THREAD ENGAGEMENT

**Specifications:**

- |                             |                        |                     |                       |                                  |                                       |           |
|-----------------------------|------------------------|---------------------|-----------------------|----------------------------------|---------------------------------------|-----------|
| <b>1. Wetted Materials:</b> | Pump Head:             | Vectra [LCP]        | <b>3. Electrical:</b> | Motor:                           | Brush, Dual Bearing                   |           |
|                             | Retainer Washer:       | 303 Stainless [800] |                       | Operating Voltage:               | 6.0 VDC                               |           |
|                             | Retainer Screw:        | 316 Stainless       |                       | In-rush Current:                 | 5 x Operating Current for up to 50 ms |           |
|                             | Valves:                | EPDM [Q55]          |                       | Recommended Fusing:              | Slow Blow @ 2 x Operating Current     |           |
|                             | Diaphragm:             | AEPDM [F80]         |                       |                                  |                                       |           |
|                             | Gasket:                | EPDM [65]           |                       |                                  |                                       |           |
| <b>2. Performance:</b>      |                        | <u>Continuous</u>   | <u>Maximum</u>        | <b>4. Other:</b>                 | Temperature Range:                    | 5 - 50° C |
|                             | - Vacuum: in Hg [AIR]  | 18.0                | 18.0                  |                                  | Free Flow RPM:                        | 3500      |
|                             | - Pressure: PSIG [AIR] | 24.0                | 24.0                  |                                  | Eccentric:                            | C465      |
|                             |                        |                     |                       | <b>5. Operating Limitations:</b> | N/A                                   |           |



The above graph denotes nominal performance at 800' above sea level, 24°C, and at the specified voltage.

ST