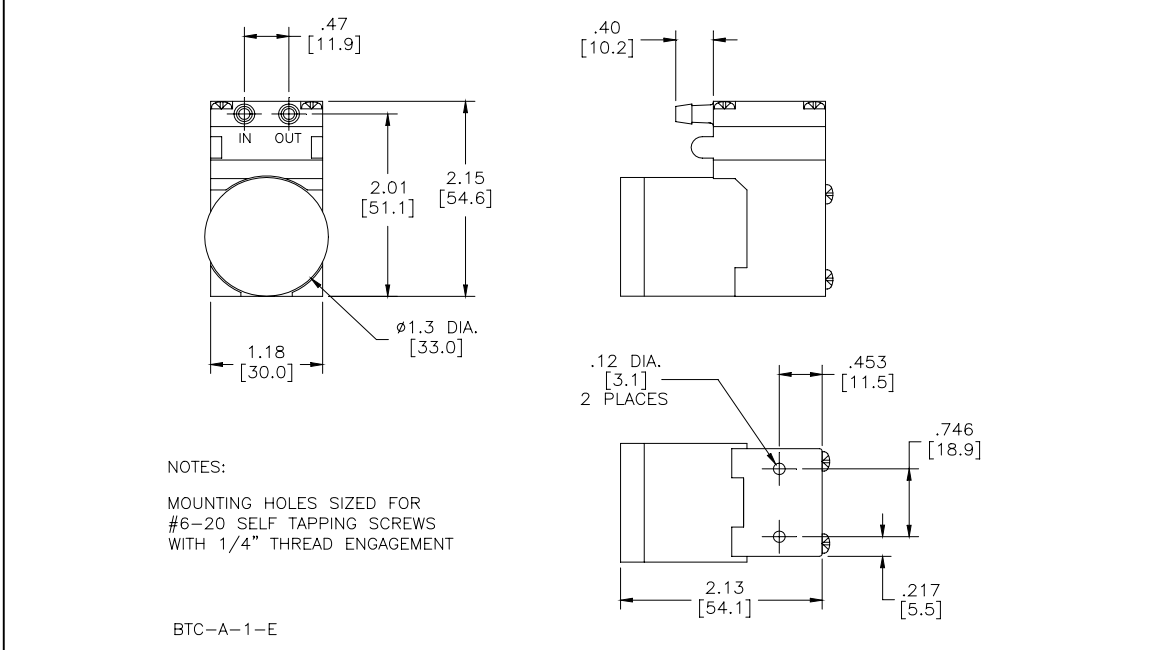
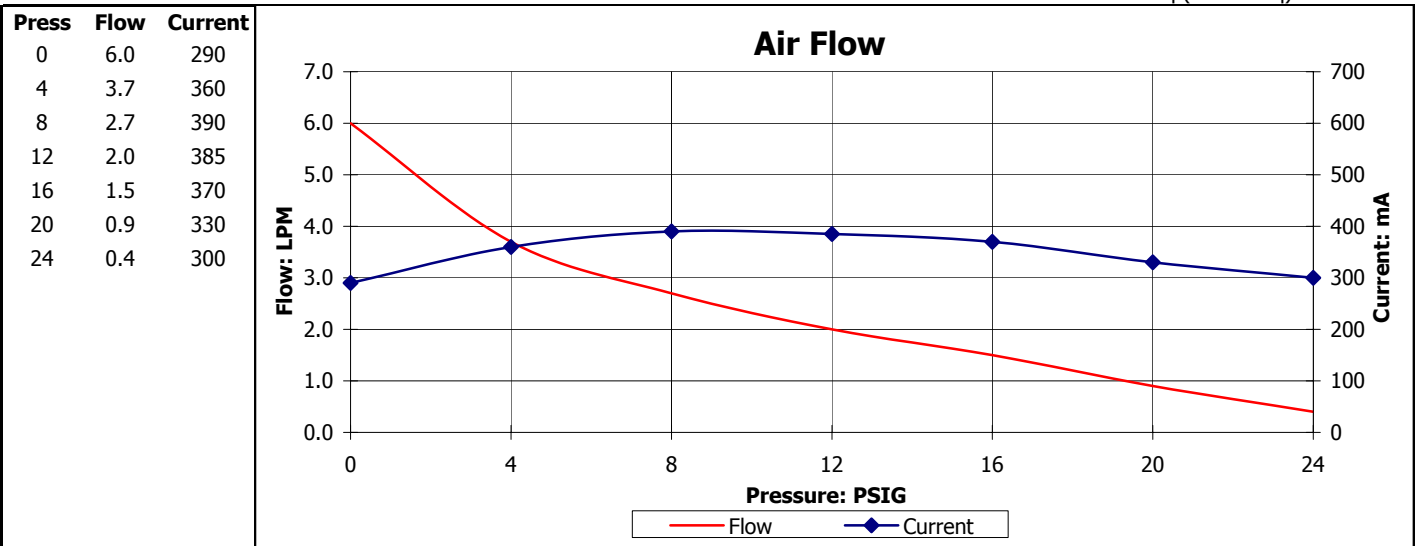


Dimensional Layout:



Specifications:

- | | | | | | | |
|-----------------------------|---------------------------|--------------------------|-----------------------------------|--|---------------------------------------|------|
| 1. Wetted Materials: | Pump Head: | Vectra [LCP] | 3. Electrical: | Motor: | Brushless Dual Bearing | |
| | Retainer Washer: | 2024 Alum [700] | | Operating Voltage: | 24.0 vdc | |
| | Retainer Screw: | 316 Stainless | | In-rush Current: | 5 x Operating Current for up to 50 ms | |
| | Valves: | EPDM [Q55] | | Recommended Fusing: | Slow Blow @ 2 x Operating Current | |
| | Diaphragm: | AEPDM [T80] | | | | |
| | Gasket: | EPDM [65] | | | | |
| 2. Performance: | | | 4. Other: | Temperature Range: | 5 - 50° C | |
| | - Pressure [PSIG]: | <u>Continuous</u>
8.0 | | <u>Maximum</u>
24.0 | Free Flow RPM: | 3900 |
| | | | | | Eccentric: | A900 |
| | | | 5. Operating Limitations: | Not configured for vacuum operation | | |
| | | | 6. Recommended Filtration: | 40 Micron media w/ a minimum surface area of .39" Sq (252mmSq) | | |



The above graph denotes nominal performance at 800' above sea level, at 24 degrees C and at the specified voltage.

ST