

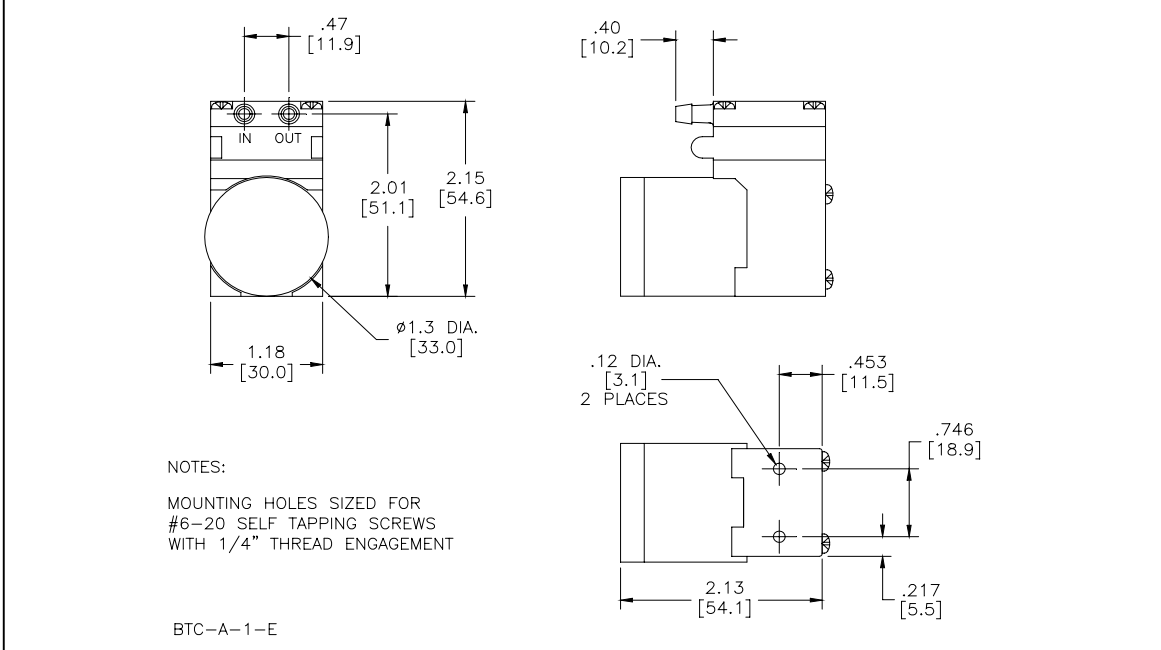


HARGRAVES

Mooresville, North Carolina 28117
T: 704-662-3500 F: 704-662-8744
www.hargravestfluidics.com

Part No.: **C117H-12**
Model No.: **B.1C60E1.A24VDC**
Description: **BTC Diaphragm Pump,
Brushless Motor**

Dimensional Layout:

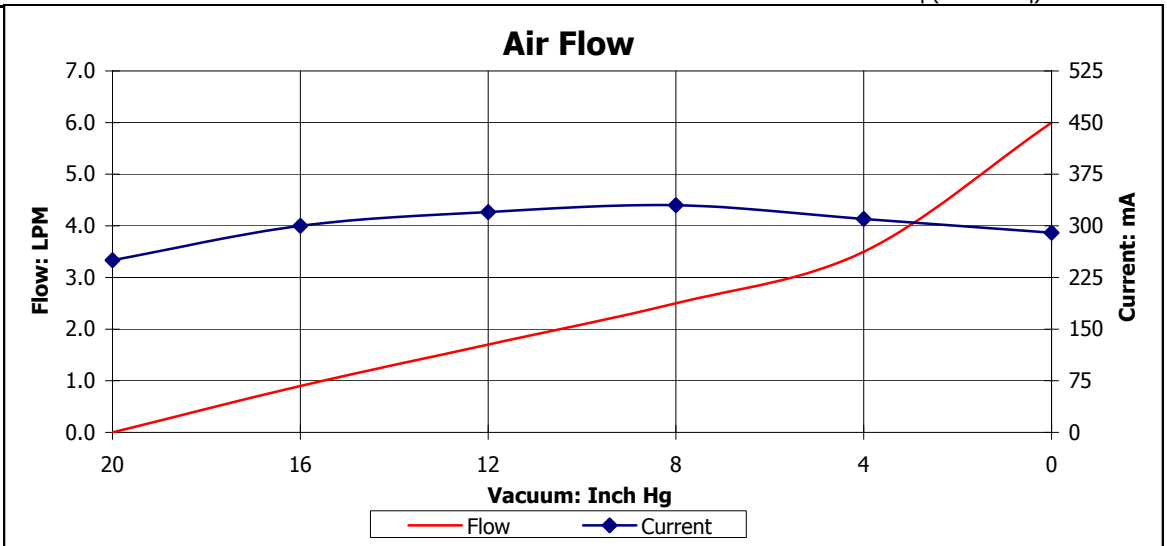


Specifications:

- 1. Wetted Materials:** Pump Head: Vectra [LCP]
Retainer Washer: 2024 Alum [700]
Retainer Screw: 316 Stainless
Valves: EPDM [Q55]
Diaphragm: AEPDM [T80]
Gasket: EPDM [65]
- 2. Performance:**

| | Continuous | Maximum |
|-------------------|------------|---------|
| - Vacuum [In Hg]: | 20.0 | 20.0 |
- 3. Electrical:** Motor: Brushless Dual Bearing
Operating Voltage: 24.0 vdc
In-rush Current: 5 x Operating Current for up to 50 ms
Recommended Fusing: Slow Blow @ 2 x Operating Current
- 4. Other:** Temperature Range: 5 - 50° C
Free Flow RPM: 3900
Eccentric: A900
- 5. Operating Limitations:** Not configured for pressure operation
- 6. Recommended Filtration:** 40 Micron media w/ a minimum surface area of .39" Sq (252mmSq)

| Vac | Flow | Current |
|-----|------|---------|
| 20 | 0.0 | 250 |
| 16 | 0.9 | 300 |
| 12 | 1.7 | 320 |
| 8 | 2.5 | 330 |
| 4 | 3.5 | 310 |
| 0 | 6.0 | 290 |



The above graph denotes nominal performance at 800' above sea level, at 24 degrees C and at the specified voltage.

ST