

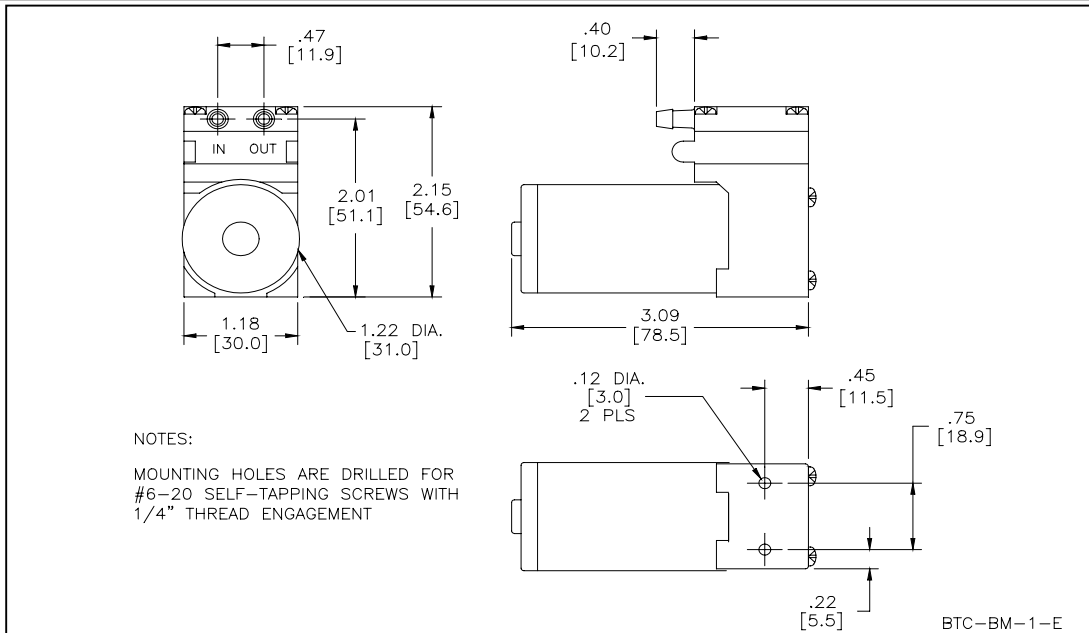


HARGRAVES

Mooresville, North Carolina 28117  
T: 704-662-3500 F: 704-662-8744  
www.hargravestfluidics.com

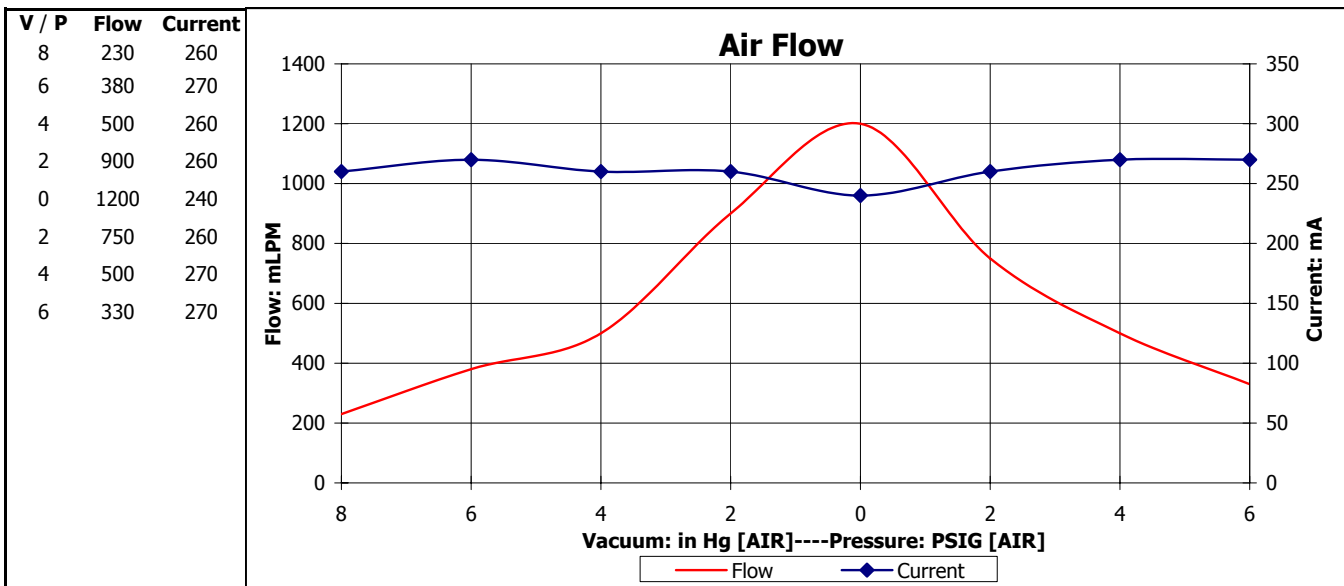
Part No.: **L074-11**  
Model No.: **B.1F12E1.B06VDC**  
Description: **BTC Diaphragm Pump,  
Brush Motor**

### Dimensional Layout:



### Specifications:

- |                             |                        |                     |                       |                                  |   |           |
|-----------------------------|------------------------|---------------------|-----------------------|----------------------------------|---|-----------|
| <b>1. Wetted Materials:</b> | Pump Head:             | Vectra [LCP]        | <b>3. Electrical:</b> | Motor:                           | Brush Dual Bearing  |           |
|                             | Retainer Washer:       | 316 Stainless [700] |                       | Operating Voltage:               | 6.0 VDC   |           |
|                             | Retainer Screw:        | 316 Stainless       |                       | In-rush Current:                 | 5 x Operating Current<br>for up to 50 ms                            |           |
|                             | Valves:                | AEPDM [80]          |                       | Recommended Fusing:              | Slow Blow @ 2 x<br>Operating Current                                |           |
|                             | Diaphragm:             | AEPDM [F80]         |                       |                                  |   |           |
| Gasket:                     | EPDM [65]              |                     |                       |                                  |   |           |
| <b>2. Performance:</b>      |                        | <u>Continuous</u>   | <u>Maximum</u>        | <b>4. Other:</b>                 | Temperature Range:  | 5 - 50° C |
|                             | - Vacuum: in Hg [AIR]  | 9.0                 | 9.0                   |                                  | Free Flow RPM:  | 3300      |
|                             | - Pressure: PSIG [AIR] | 7.0                 | 7.0                   |                                  | Eccentric:  | C250      |
|                             |                        |                     |                       | <b>5. Operating Limitations:</b> | N/A   |           |
|                             |                        |                     |                       | <b>6. Filtration:</b>            | Recommended: 40 Micron with minimum surface area of .39 square inch |           |



The above graph denotes nominal performance at 800' above sea level, 24°C, and at the specified voltage.

PR