

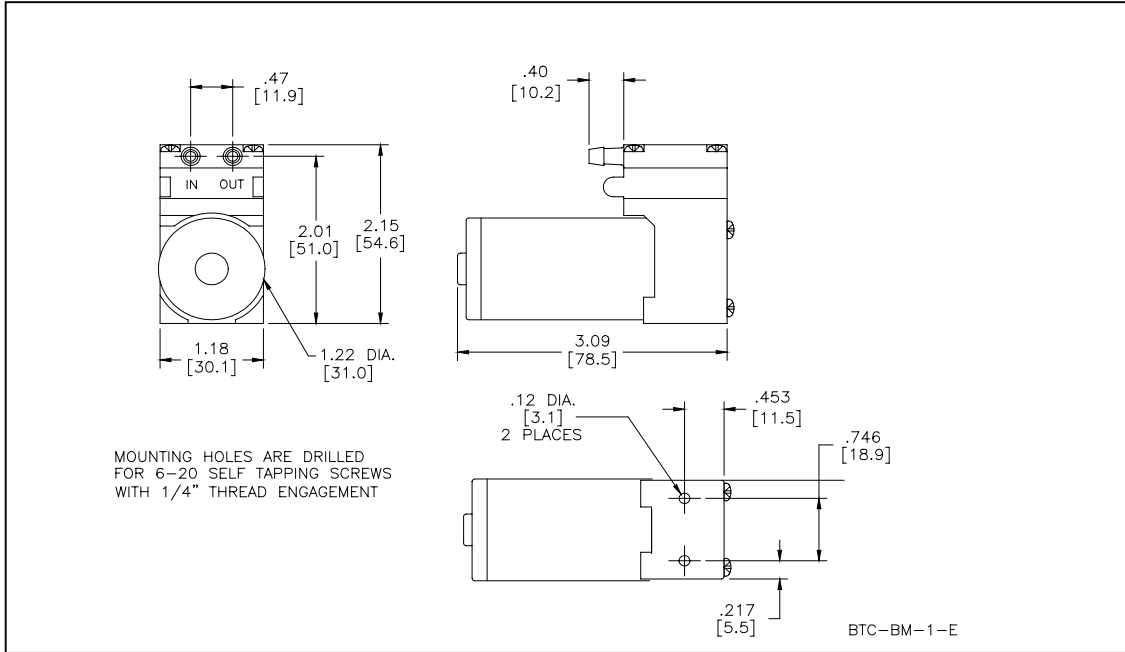


HARGRAVES

Mooresville, North Carolina 28117  
T: 704-662-3500 F: 704-662-8744  
www.hargravestfluidics.com

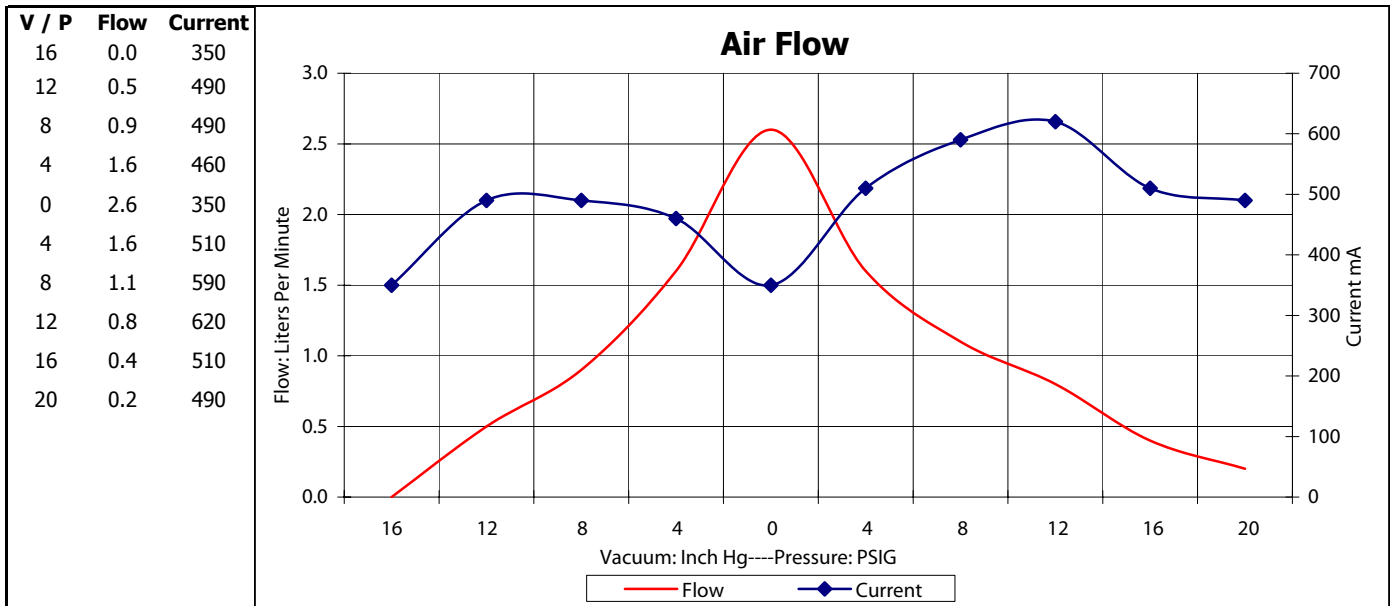
Part No.: **H061-11**  
Model No.: **B.1F25E1.B06VDC**  
Description: **BTC Diaphragm Pump,  
Brush Motor**

### Dimensional Layout:



### Specifications:

- |                             |                   |                     |                                  |                     |  |
|-----------------------------|-------------------|---------------------|----------------------------------|---------------------|--|
| <b>1. Wetted Materials:</b> | Pump Head:        | Vectra [LCP]        | <b>3. Electrical:</b>            | Motor:              | Brush, Dual Bearing                      |
|                             | Retainer Washer:  | 303 Stainless [800] |                                  | Operating Voltage:  | 6.0 VDC                                  |
|                             | Retainer Screw:   | 316 Stainless       |                                  | In-rush Current:    | 5 x Operating Current<br>for up to 50 ms |
|                             | Valves:           | EPDM [[Q55]         |                                  | Recommended Fusing: | Slow Blow @ 2 x<br>Operating Current     |
|                             | Diaphragm:        | AEPDM [F80]         | <b>4. Other:</b>                 | Temperature Range:  | 5 - 50° C                                |
|                             | Gasket:           | EPDM [65]           |                                  | Free Flow RPM:      | 3300                                     |
| <b>2. Performance:</b>      |                   |                     |                                  | Eccentric:          | C425                                     |
|                             | <u>Continuous</u> | <u>Maximum</u>      | <b>5. Operating Limitations:</b> | N/A                 |  |
| - Vacuum [In Hg]:           | 16.0              | 16.0                |                                  |                     |  |
| - Pressure [PSIG]:          | 20.0              | 20.0                |                                  |                     |  |



The above graph denotes nominal performance at 800' above sea level at the specified voltage. Contact your HTC Rep. for additional information.

PR