

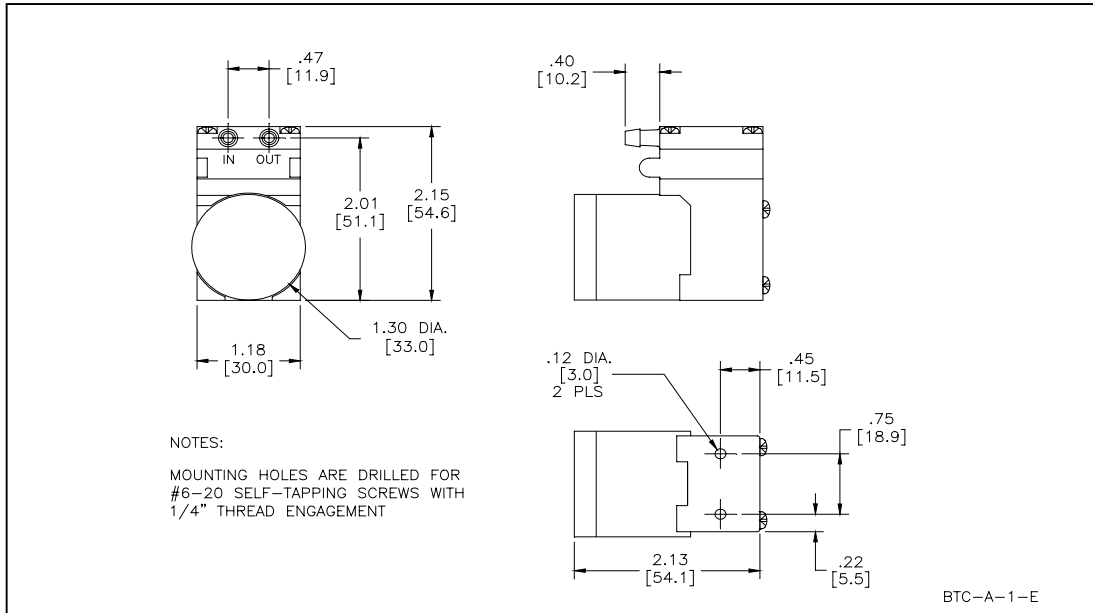


HARGRAVES

Mooresville, North Carolina 28117  
T: 704-662-3500 F: 704-662-8744  
www.hargravesfluidics.com

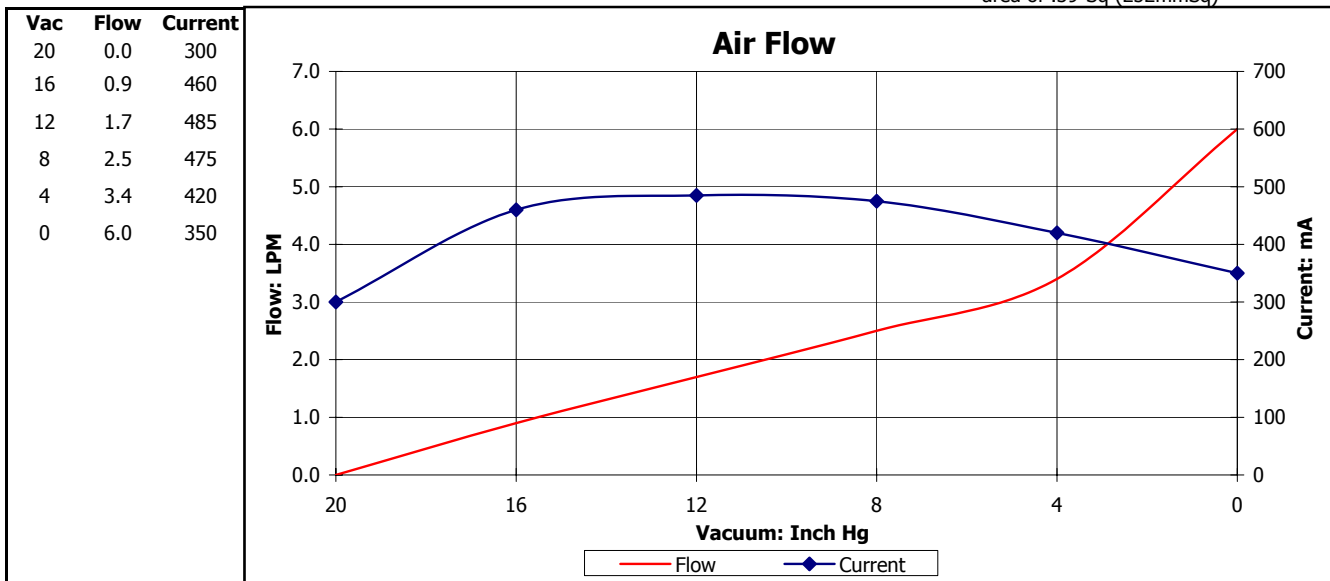
Part No.: **C134D-12**  
Model No.: **B.1C60E1.A12VDC**  
Description: **BTC Diaphragm Pump,  
Brushless Motor**

### Dimensional Layout:



### Specifications:

- |                             |                       |                 |                                   |  |  |
|-----------------------------|-----------------------|-----------------|-----------------------------------|--|--|
| <b>1. Wetted Materials:</b> | Pump Head:            | Vectra [LCP]    | <b>3. Electrical:</b>             | Motor:   | Brushless Dual Bearing                   |
|                             | Retainer Washer:      | 2024 Alum [750] |                                   | Operating Voltage:   | 12 VDC                                   |
|                             | Retainer Screw:       | 316 Stainless   |                                   | In-rush Current:   | 5 x Operating Current<br>for up to 50 ms |
|                             | Valves:               | EPDM [Q55]      |                                   | Recommended Fusing:  | Slow Blow @ 2 x<br>Operating Current     |
|                             | Diaphragm:            | AEPDM [T80]     |                                   |  |  |
|                             | Gasket:               | EPDM [65]       |                                   |  |  |
| <b>2. Performance:</b>      | <u>Continuous</u>     | <u>Maximum</u>  | <b>4. Other:</b>                  | Temperature Range:   | 5 - 50° C                                |
|                             | - Vacuum: in Hg [AIR] | 20.0            |                                   | 20.0   | Free Flow RPM:                           |
|                             |                       |                 |                                   | Eccentric:   | A900                                     |
|                             |                       |                 | <b>5. Operating Limitations:</b>  | Not configured for pressure operation.                         |  |
|                             |                       |                 | <b>6. Recommended Filtration:</b> | 40 Micron media w/ a minimum surface area of .39" Sq (252mmSq) |  |



The above graph denotes nominal performance at 800' above sea level, 24°C, and at the specified voltage.

ST