

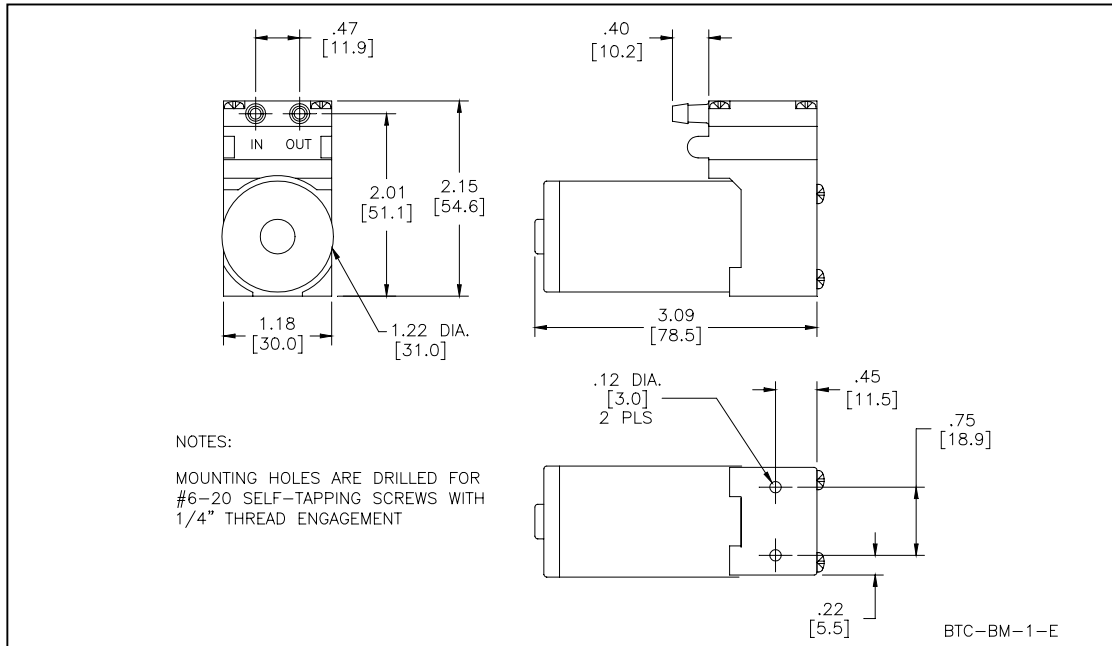


HARGRAVES

Mooresville, North Carolina 28117  
T: 704-662-3500 F: 704-662-8744  
www.hargravestfluidics.com

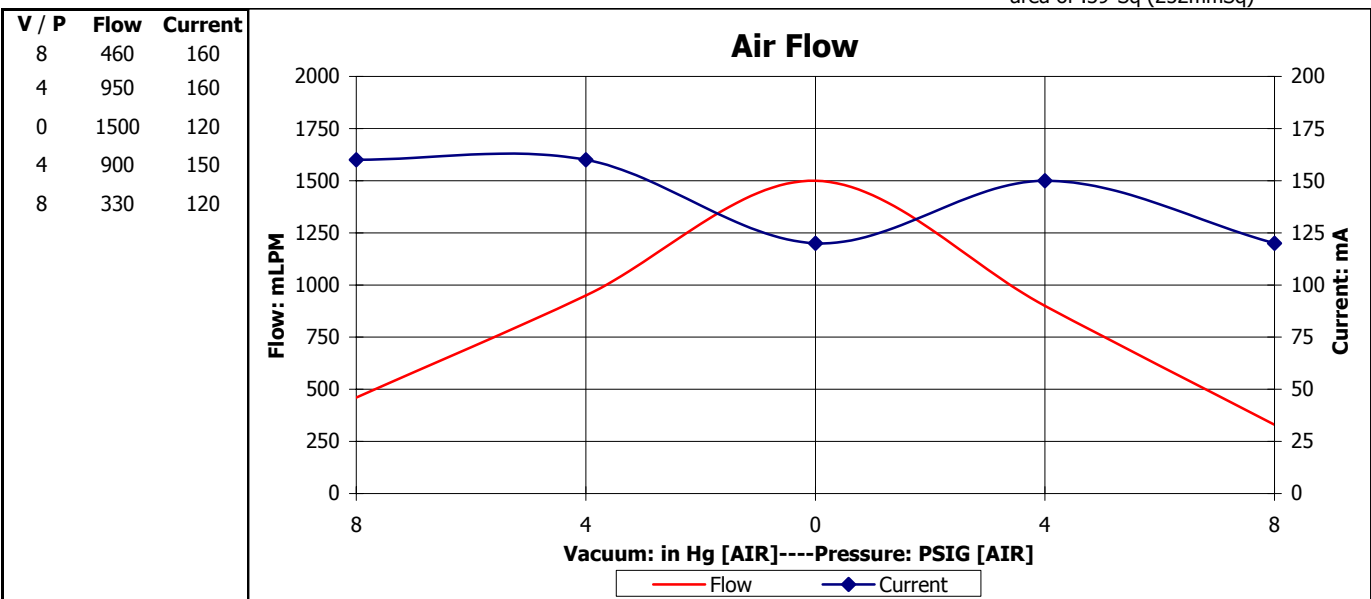
Part No.: **L052C-11**  
Model No.: **B.1F15E1.B12VDC**  
Description: **BTC Diaphragm Pump,  
Brush Motor**

### Dimensional Layout:



### Specifications:

- |                             |                        |                     |                       |                                   |   |           |
|-----------------------------|------------------------|---------------------|-----------------------|-----------------------------------|---|-----------|
| <b>1. Wetted Materials:</b> | Pump Head:             | Vectra [LCP]        | <b>3. Electrical:</b> | Motor:                            | Brush Dual Bearing  |           |
|                             | Retainer Washer:       | 316 Stainless [700] |                       | Operating Voltage:                | 12.0 VDC  |           |
|                             | Retainer Screw:        | 316 Stainless       |                       | In-rush Current:                  | 5 x Operating Current<br>for up to 50 ms                      |           |
|                             | Valves:                | AEPDM [80]          |                       | Recommended Fusing:               | Slow Blow @ 2 x<br>Operating Current                          |           |
|                             | Diaphragm:             | AEPDM [F80]         |                       |                                   |   |           |
|                             | Gasket:                | EPDM [65]           |                       |                                   |   |           |
| <b>2. Performance:</b>      |                        | <u>Continuous</u>   | <u>Maximum</u>        | <b>4. Other:</b>                  | Temperature Range:  | 5 - 50° C |
|                             | - Vacuum: in Hg [AIR]  | 12.0                | 12.0                  |                                   | Free Flow RPM:  | 3400      |
|                             | - Pressure: PSIG [AIR] | 10.0                | 10.0                  |                                   | Eccentric:  | C300      |
|                             |                        |                     |                       | <b>5. Operating Limitations:</b>  | N/A   |           |
|                             |                        |                     |                       | <b>6. Recommended Filtration:</b> | 40 Micron media w/ a minimum surface area of .39"Sq (252mmSq) |           |



The above graph denotes nominal performance at 800' above sea level, 24°C, and at the specified voltage.

ST