

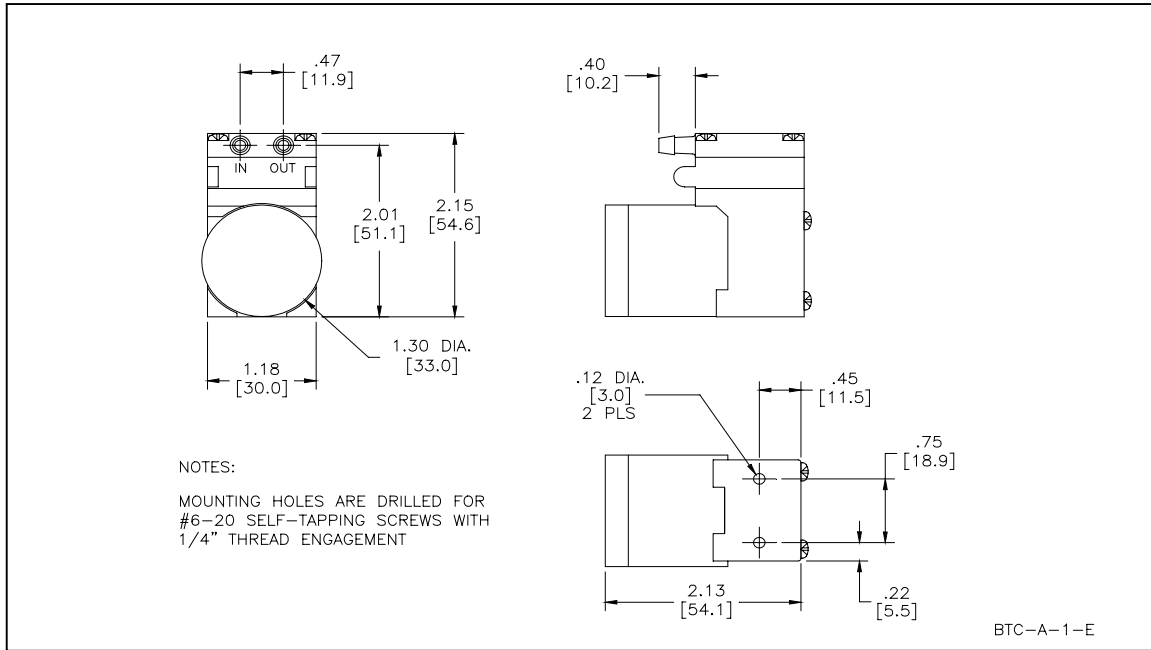


HARGRAVES

Mooresville, North Carolina 28117
 T: 704-662-3500 F: 704-662-8744
 www.hargravestfluidics.com

Part No.: **L045B-11**
 Model No.: **B.1F15E1.A24VDC**
 Description: **BTC Diaphragm Pump, Brushless Motor**

Dimensional Layout:

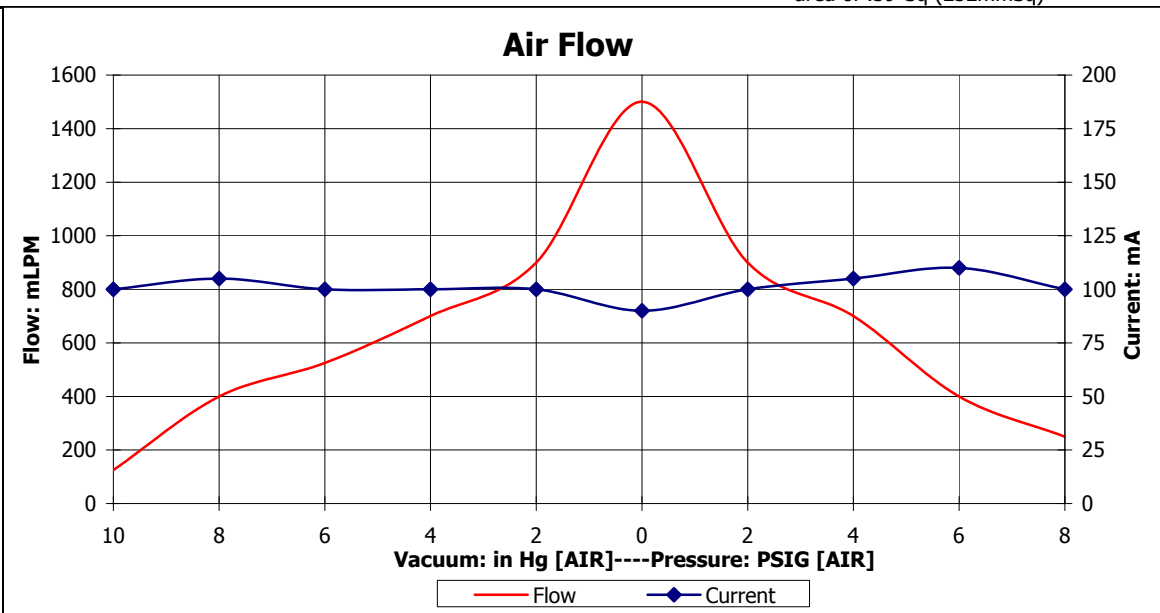


NOTES:
 MOUNTING HOLES ARE DRILLED FOR #6-20 SELF-TAPPING SCREWS WITH 1/4" THREAD ENGAGEMENT

Specifications:

- | | | | | | | |
|-----------------------------|------------------------|---------------------|-----------------------|-----------------------------------|---|-----------|
| 1. Wetted Materials: | Pump Head: | Vectra [LCP] | 3. Electrical: | Motor: | Brushless Dual Bearing | |
| | Retainer Washer: | 316 Stainless [700] | | Operating Voltage: | 24.0 VDC | |
| | Retainer Screw: | 316 Stainless | | In-rush Current: | 5 x Operating Current for up to 50 ms | |
| | Valves: | AEPDM [80] | | Recommended Fusing: | Slow Blow @ 2 x Operating Current | |
| | Diaphragm: | AEPDM [F80] | | | | |
| | Gasket: | EPDM [65] | | | | |
| 2. Performance: | | <u>Continuous</u> | <u>Maximum</u> | 4. Other: | Temperature Range: | 5 - 50° C |
| | - Vacuum: in Hg [AIR] | 12.0 | 12.0 | | Free Flow RPM: | 3400 |
| | - Pressure: PSIG [AIR] | 10.0 | 10.0 | | Eccentric: | A300 |
| | | | | 5. Operating Limitations: | N/A | |
| | | | | 6. Recommended Filtration: | 40 Micron media w/ a minimum surface area of .39"Sq (252mmSq) | |

V / P	Flow	Current
10	125	100
8	400	105
6	525	100
4	700	100
2	900	100
0	1500	90
2	900	100
4	700	105
6	400	110
8	250	100



The above graph denotes nominal performance at 800' above sea level, 24° C, and at the specified voltage.

ST