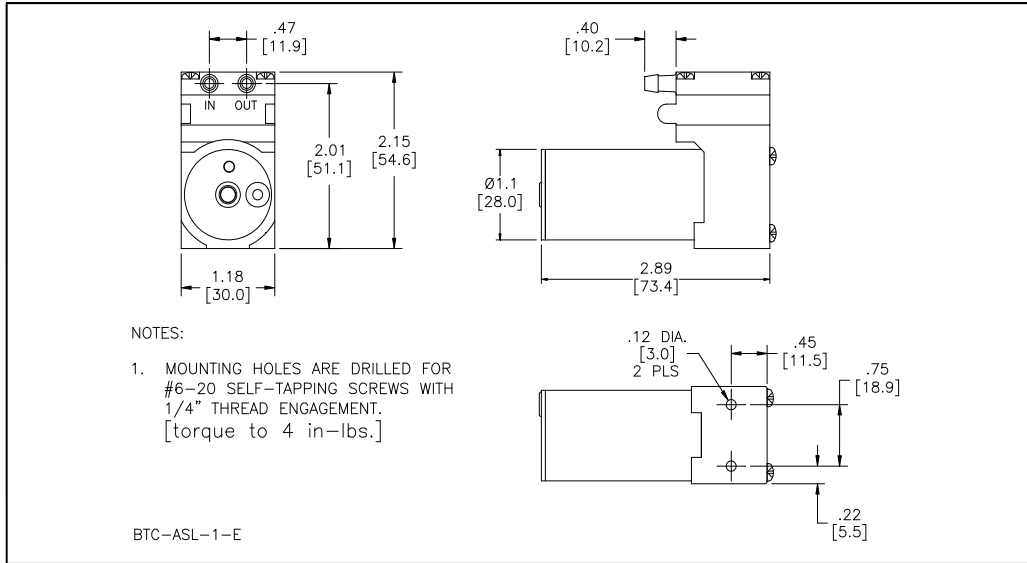




Mooreville, North Carolina 28117  
 T: 704-662-3500 F: 704-662-8744  
 www.hargravesfluidics.com

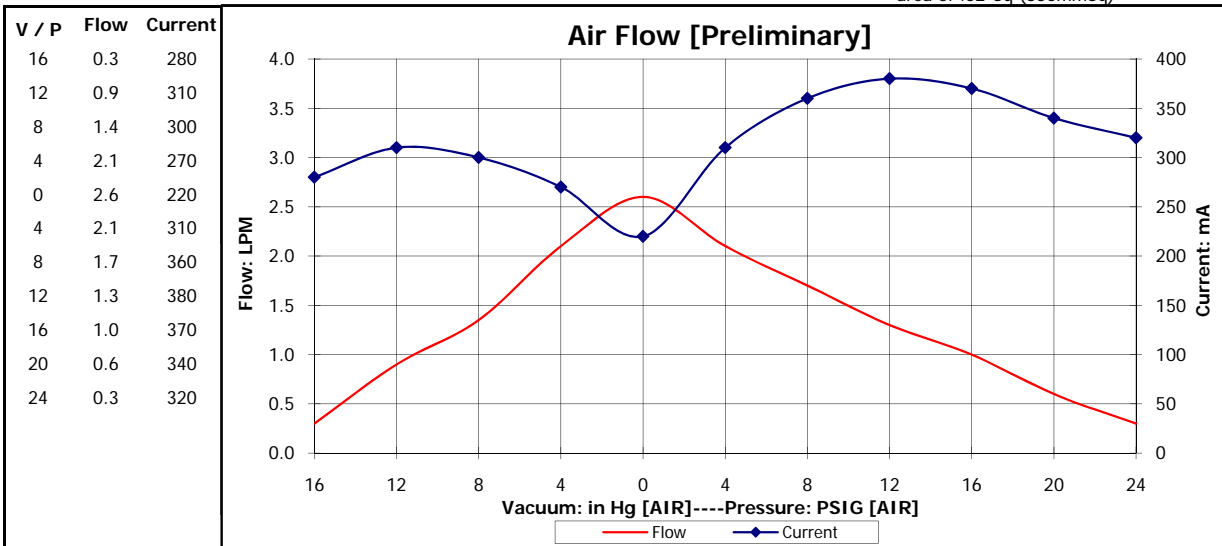
Part No.: **H124-11**  
 Model No.: **B.1F26E1.A12VDC**  
 Description: **BTC Diaphragm Pump, Slotless Brushless Motor**

**Dimensional Layout:**



**Specifications:**

- |                                   |                        |                     |                       |   |                                       |           |
|-----------------------------------|------------------------|---------------------|-----------------------|---|---------------------------------------|-----------|
| <b>1. Wetted Materials:</b>       | Pump Head:             | Vectra [LCP]        | <b>3. Electrical:</b> | Motor:  | Brushless Dual Bearing                |           |
|                                   | Retainer Washer:       | 303 Stainless [800] |                       | Operating Voltage:  | 12.0 VDC                              |           |
|                                   | Retainer Screw:        | 316 Stainless       |                       | In-rush Current:  | 5 x Operating Current for up to 50 ms |           |
|                                   | Valves:                | EPDM [Q55]          |                       | Recommended Fusing:   | Slow Blow @ 2 x Operating Current     |           |
|                                   | Diaphragm:             | AEPDM [F80]         |                       |   |                                       |           |
| Gasket:                           | EPDM [65]              |                     |                       |   |                                       |           |
| <b>2. Performance:</b>            |                        | <u>Continuous</u>   | <u>Maximum</u>        | <b>4. Other:</b>  | Temperature Range:                    | 5 - 50° C |
|                                   | - Vacuum: in Hg [AIR]  | 18.0                | 18.0                  |   | Free Flow RPM:                        | 3500      |
|                                   | - Pressure: PSIG [AIR] | 24.0                | 24.0                  |   | Eccentric:                            | A465      |
| <b>5. Operating Limitations:</b>  |                        |                     |                       | N/A   |                                       |           |
| <b>6. Recommended Filtration:</b> |                        |                     |                       | 40 Micron media w/ a minimum surface area of .52"Sq (336mmSq) |                                       |           |



The above graph denotes nominal performance at 800' above sea level, 24°C, and at the specified voltage.

PR