

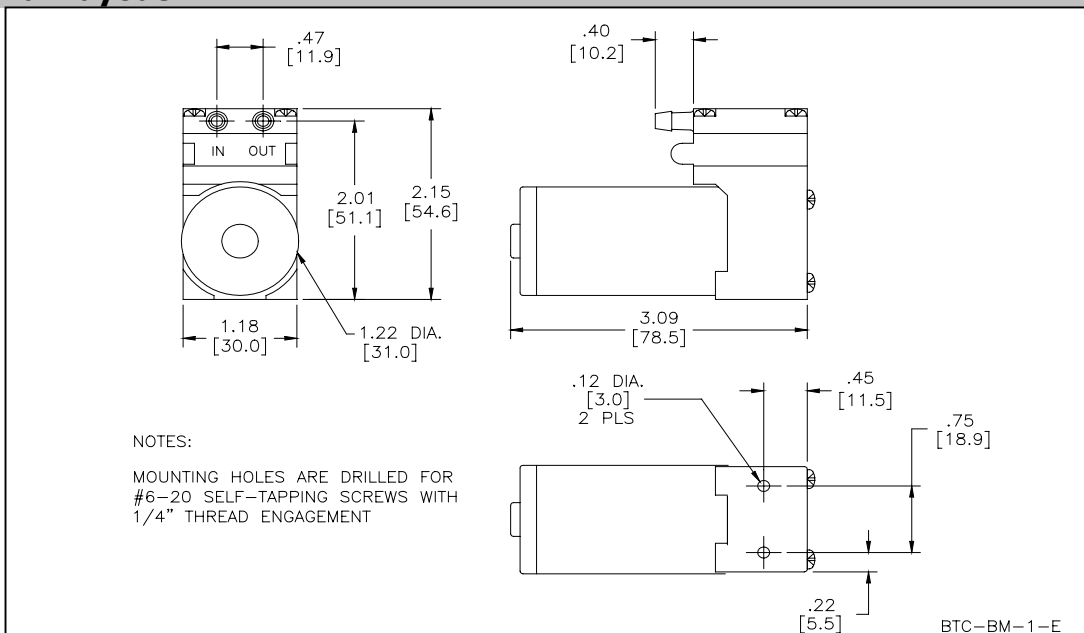


HARGRAVES

Mooresville, North Carolina 28117  
 T: 704-662-3500 F: 704-662-8744  
 www.hargraveshfluidics.com

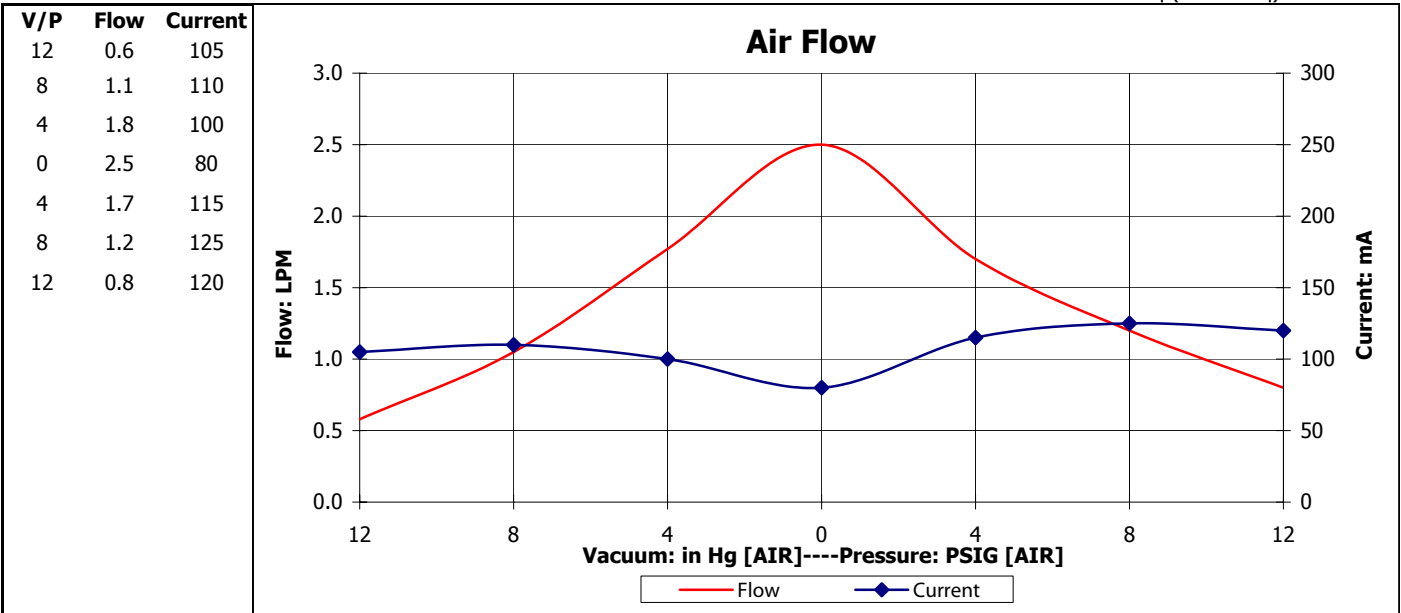
Part No.: **H070A-11**  
 Model No.: **B.1F25E1.B24VDC**  
 Description: **BTC Diaphragm Pump, Brush Motor**

**Dimensional Layout:**



**Specifications:**

- |                             |                   |                 |                                   |  |                    |
|-----------------------------|-------------------|-----------------|-----------------------------------|--|--------------------|
| <b>1. Wetted Materials:</b> | Pump Head:        | Vectra [LCP]    | <b>3. Electrical:</b>             | Motor:   | Brush Dual Bearing |
|                             | Retainer Washer:  | 2024 Alum [750] |                                   | Operating Voltage:   | 24.0 VDC           |
|                             | Retainer Screw:   | 316 Stainless   | In-rush Current:                  | 5 x Operating Current  | for up to 50 ms    |
|                             | Valves:           | AEPDM [80]      | Recommended Fusing:               | Slow Blow @ 2 x  | Operating Current  |
|                             | Diaphragm:        | AEPDM [F80]     |                                   |  |                    |
|                             | Gasket:           | EPDM [65]       |                                   |  |                    |
| <b>2. Performance:</b>      | <u>Continuous</u> | <u>Maximum</u>  | <b>4. Other:</b>                  | Temperature Range:   | 5 - 50° C          |
| - Vacuum: in Hg [AIR]       | 16.0              | 16.0            | Free Flow RPM:                    | 3400   |                    |
|                             |                   |                 | Eccentric:                        | C450   |                    |
| - Pressure: PSIG [AIR]      | 17.0              | 17.0            | <b>5. Operating Limitations:</b>  | N/A  |                    |
|                             |                   |                 | <b>6. Recommended Filtration:</b> | 40 Micron media w/ a minimum surface area of .39" Sq (252mmSq) |                    |



The above graph denotes nominal performance at 800' above sea level, 24°C, and at the specified voltage.

ST