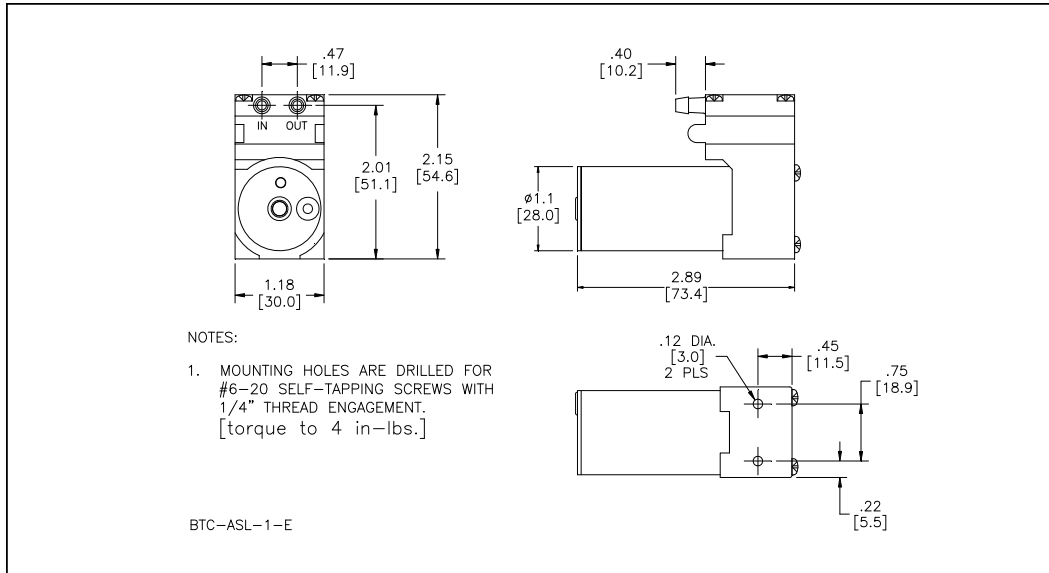




Mooresville, North Carolina 28117  
 T: 704-662-3500 F: 704-662-8744  
 www.hargravesfluidics.com

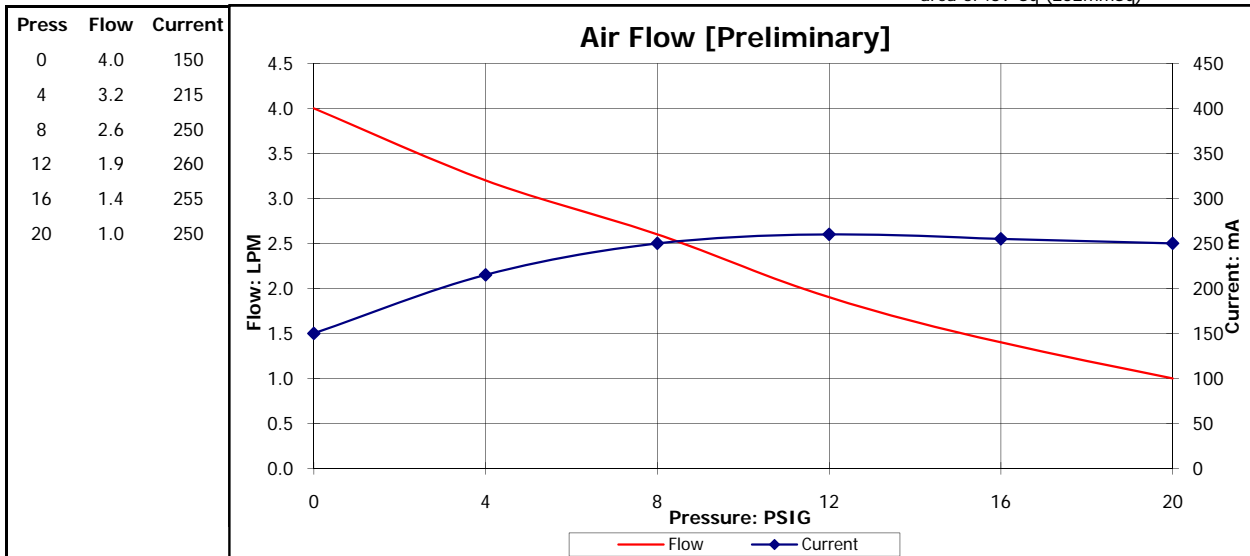
Part No.: **C191-13**  
 Model No.: **B.1C40E1.A24VDC**  
 Description: **BTC Diaphragm Pump, Slotless Brushless Motor**

**Dimensional Layout:**



**Specifications:**

- |                             |                           |                   |                                   |                                                               |                                       |                                     |
|-----------------------------|---------------------------|-------------------|-----------------------------------|---------------------------------------------------------------|---------------------------------------|-------------------------------------|
| <b>1. Wetted Materials:</b> | Pump Head:                | Vectra [LCP]      | <b>3. Electrical:</b>             | Motor:                                                        | Brushless Dual Bearing                |                                     |
|                             | Retainer Washer:          | 2024 Alum [700]   |                                   | Operating Voltage:                                            | 24.0 vdc                              |                                     |
|                             | Retainer Screw:           | 316 Stainless     |                                   | In-rush Current:                                              | 5 x Operating Current for up to 50 ms |                                     |
|                             | Valves:                   | EPDM [Q55]        |                                   | Recommended Fusing:                                           | Slow Blow @ 2 x Operating Current     |                                     |
| <b>2. Performance:</b>      | Diaphragm:                | AEPDM [T80]       | <b>4. Other:</b>                  | Temperature Range:                                            | 5 - 50° C                             |                                     |
|                             | Gasket:                   | EPDM [65]         |                                   | Free Flow RPM:                                                | 3500                                  |                                     |
|                             | <b>- Pressure [PSIG]:</b> | <u>Continuous</u> |                                   | <u>Maximum</u>                                                | Eccentric:                            | A900                                |
|                             |                           | 12.0              |                                   | 21.0                                                          | <b>5. Operating Limitations:</b>      | Not configured for vacuum operation |
|                             |                           |                   | <b>6. Recommended Filtration:</b> | 40 Micron media w/ a minimum surface area of .39"Sq (252mmSq) |                                       |                                     |



The above graph denotes nominal performance at 800' above sea level, at 24 degrees C and at the specified voltage.

PR