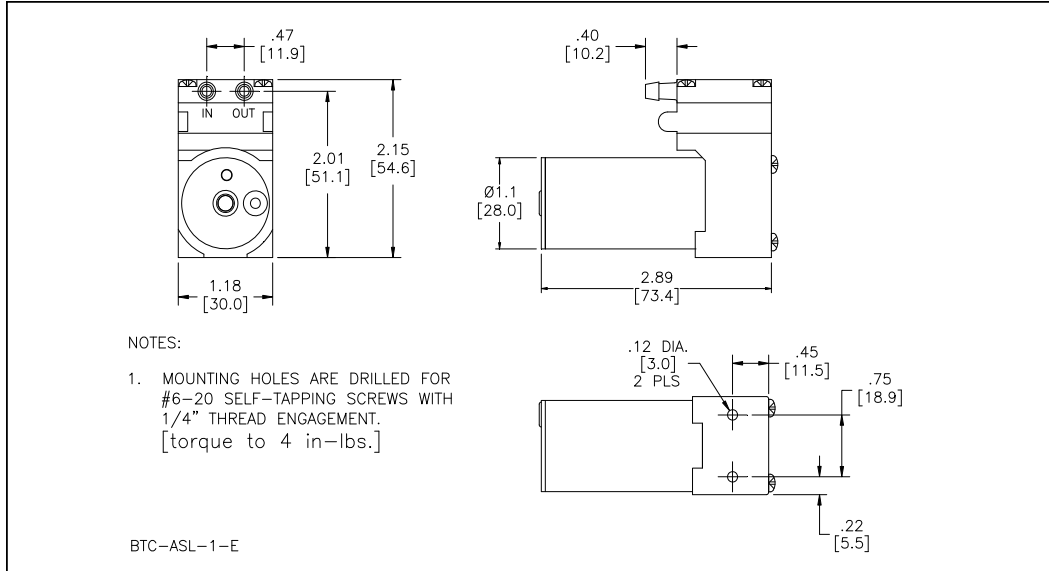




Mooresville, North Carolina 28117
 T: 704-662-3500 F: 704-662-8744
 www.hargravesfluidics.com

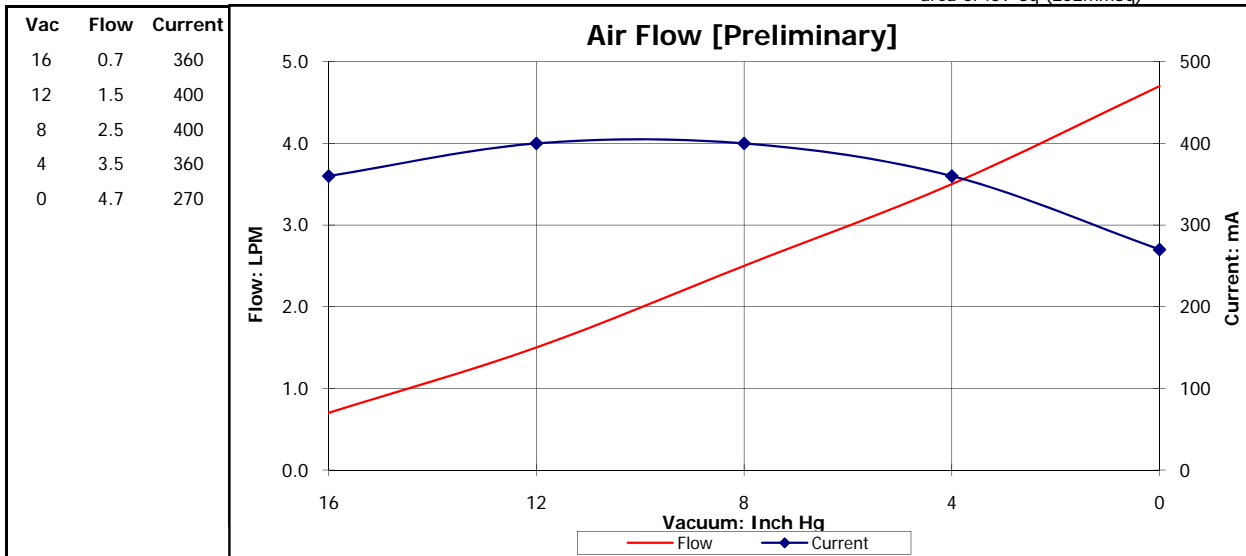
Part No.: **C190-12**
 Model No.: **B.1C47E1.A12VDC**
 Description: **BTC Diaphragm Pump, Slotless Brushless Motor**

Dimensional Layout:



Specifications:

- | | | | | | |
|-----------------------------|-------------------|-----------------|-----------------------------------|---|---------------------------------------|
| 1. Wetted Materials: | Pump Head: | Vectra [LCP] | 3. Electrical: | Motor: | Brushless Dual Bearing |
| | Retainer Washer: | 2024 Alum [700] | | Operating Voltage: | 12.0 vdc |
| | Retainer Screw: | 316 Stainless | | In-rush Current: | 5 x Operating Current for up to 50 ms |
| | Valves: | EPDM [Q55] | | Recommended Fusing: | Slow Blow @ 2 x Operating Current |
| 2. Performance: | Diaphragm: | AEPDM [T80] | 4. Other: | Temperature Range: | 5 - 50° C |
| | Gasket: | EPDM [65] | | Free Flow RPM: | 3650 |
| - Vacuum [In Hg]: | <u>Continuous</u> | 19.0 | 5. Operating Limitations: | Eccentric: | A900 |
| | <u>Maximum</u> | 19.0 | | Not configured for pressure operation | |
| | | | 6. Recommended Filtration: | 40 Micron media w/ a minimum surface area of .39"Sq (252mmSq) | |



The above graph denotes nominal performance at 800' above sea level, at 24 degrees C and at the specified voltage.

PR