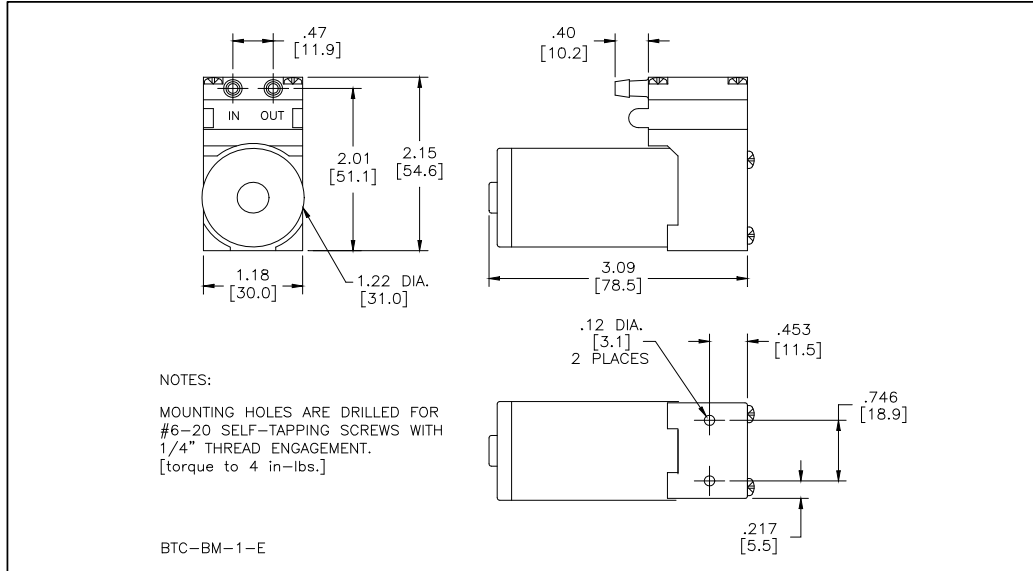




Part No.: **C153A-12**
 Model No.: **B.1C60E1.B24VDC**
 Description: **BTC Diaphragm Pump, Brush Motor**

Mooresville, North Carolina 28117
 T: 704-662-3500 F: 704-662-8744
 www.hargravestfluidics.com

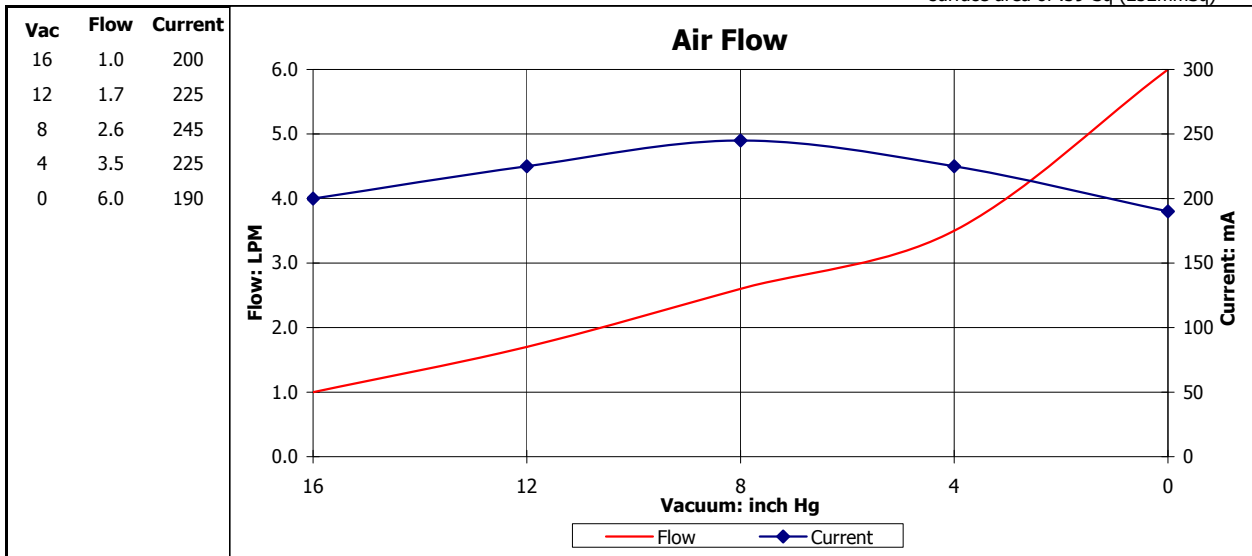
Dimensional Layout:



Specifications:

- 1. Wetted Materials:** Pump Head: Vectra [LCP]
 Retainer Washer: 2024 Alum [700]
 Retainer Screw: 316 Stainless
 Valves: AEPDM [80]
 Diaphragm: AEPDM [T80]
 Gasket: EPDM [65]
- 2. Performance:**

	Continuous	Maximum
- Vacuum in Hg [AIR]:	20.0	20.0
- 3. Electrical:** Motor: Brush Dual Bearing
 Operating Voltage: 24.0 vdc
 In-rush Current: 5 x Operating Current for up to 50 ms
 Recommended Fusing: Slow Blow @ 2x Operating Current
- 4. Other:** Temperature Range: 5 - 50° C
 Free Flow RPM: 3900
 Eccentric: C900
- 5. Operating Limitations:** Not configured for pressure operation
- 6. Recommended Filtration:** 40 Micron media w/ a minimum surface area of .39" Sq (252mmSq)



The above graph denotes nominal performance at 800' above sea level, at 24 degrees C, and at the specified voltage.

PR