

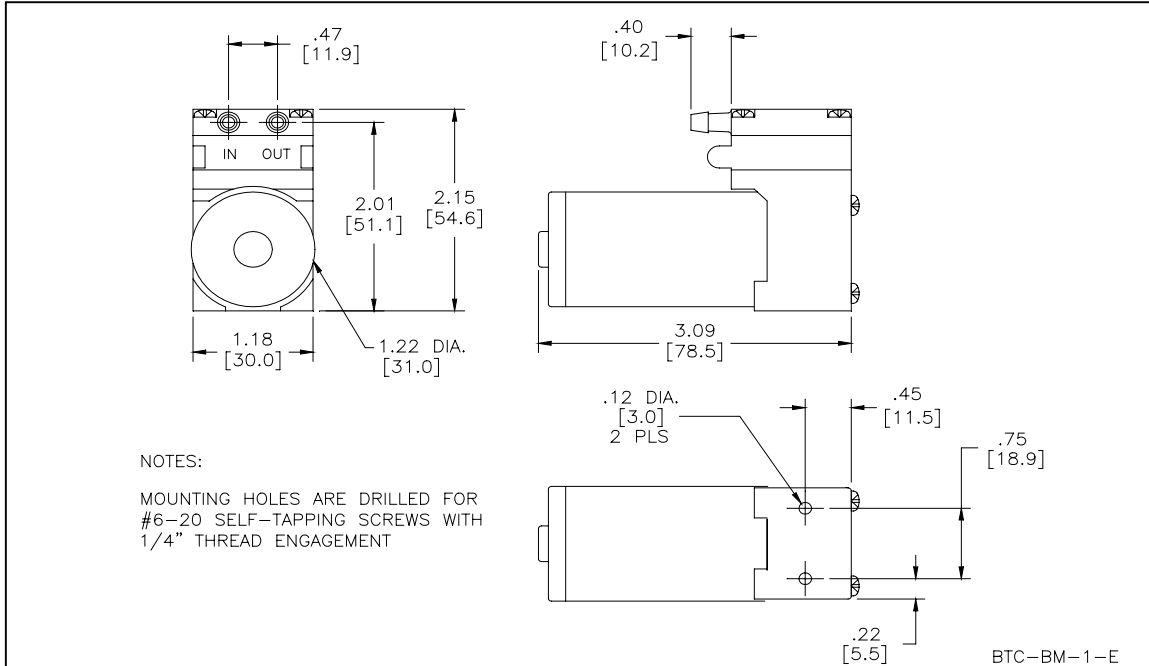


HARGRAVES

Mooresville, North Carolina 28117
T: 704-662-3500 F: 704-662-8744
www.hargravestfluidics.com

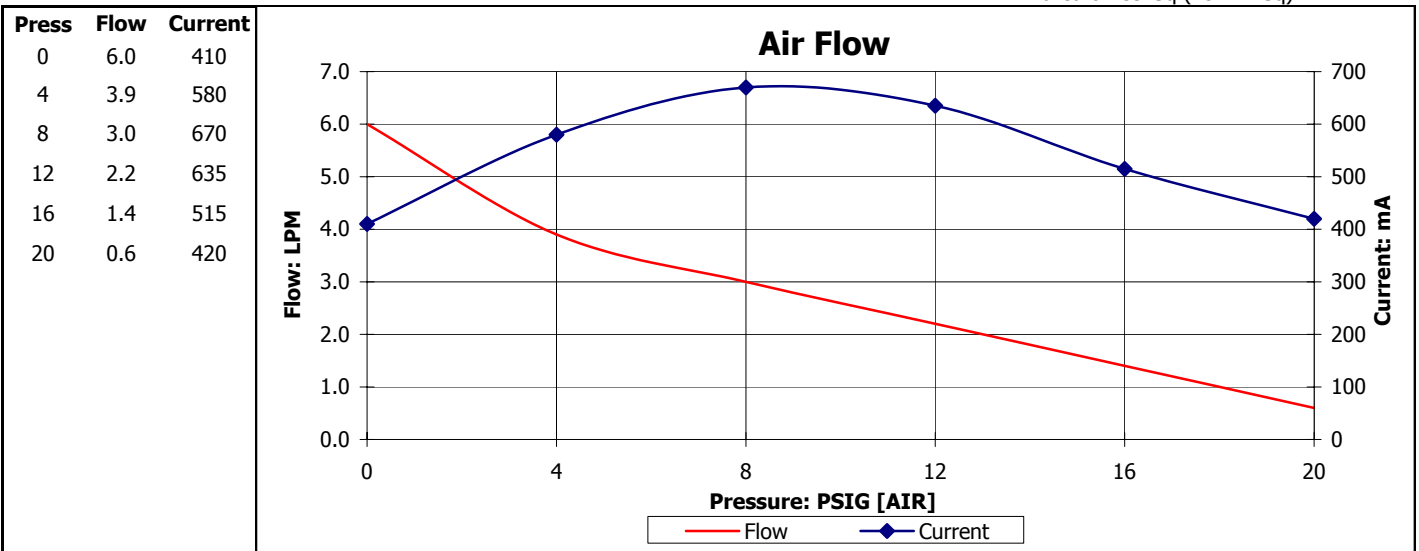
Part No.: **C103E-13**
Model No.: **B.1C60E1.B12VDC**
Description: **BTC Diaphragm Pump,
Brush Motor**

Dimensional Layout:



Specifications:

- | | | | | | |
|-----------------------------|------------------------|-----------------|-----------------------------------|--|--|
| 1. Wetted Materials: | Pump Head: | Vectra [LCP] | 3. Electrical: | Motor: | Brush Dual Bearing |
| | Retainer Washer: | 2024 Alum [700] | | Operating Voltage: | 12.0 VDC |
| | Retainer Screw: | 316 Stainless | | In-rush Current: | 5 x Operating Current
for up to 50 ms |
| | Valves: | AEPDM [80] | | Recommended Fusing: | Slow Blow @ 2 x
Operating Current |
| | Diaphragm: | AEPDM [T80] | | | |
| | Gasket: | EPDM [65] | | | |
| 2. Performance: | <u>Continuous</u> | <u>Maximum</u> | 4. Other: | Temperature Range: | 5 - 50° C |
| | - Pressure: PSIG [AIR] | 8.0 | | 24.0 | Free Flow RPM: |
| | | | | Eccentric: | C900 |
| | | | 5. Operating Limitations: | Not configured for vacuum operation | |
| | | | 6. Recommended Filtration: | 40 Micron media w/ a minimum surface area of .39" Sq (252mmSq) | |



The above graph denotes nominal performance at 800' above sea level, 24°C, and at the specified voltage.