

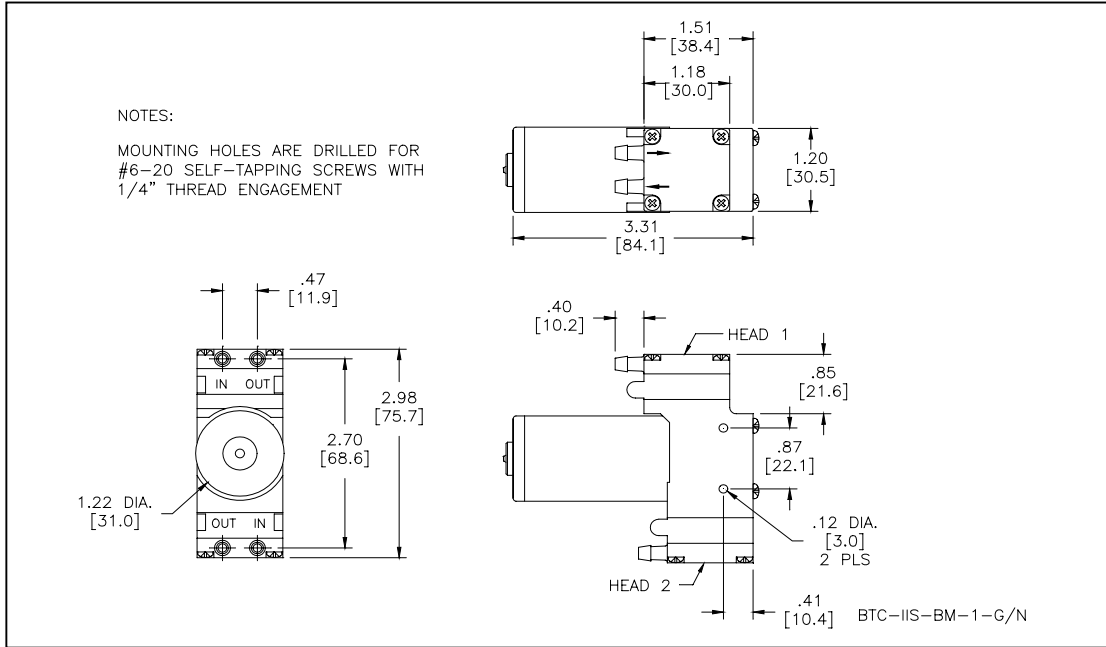


HARGRAVES

Mooresville, North Carolina 28117
T: 704-662-3500 F: 704-662-8744
www.hargravestfluidics.com

Part No.: **D770-11**
Model No.: **C.1F28G1.1F28N1.B06VDC**
Description: **BTC-IIS Diaphragm Pump,
Brush Motor**

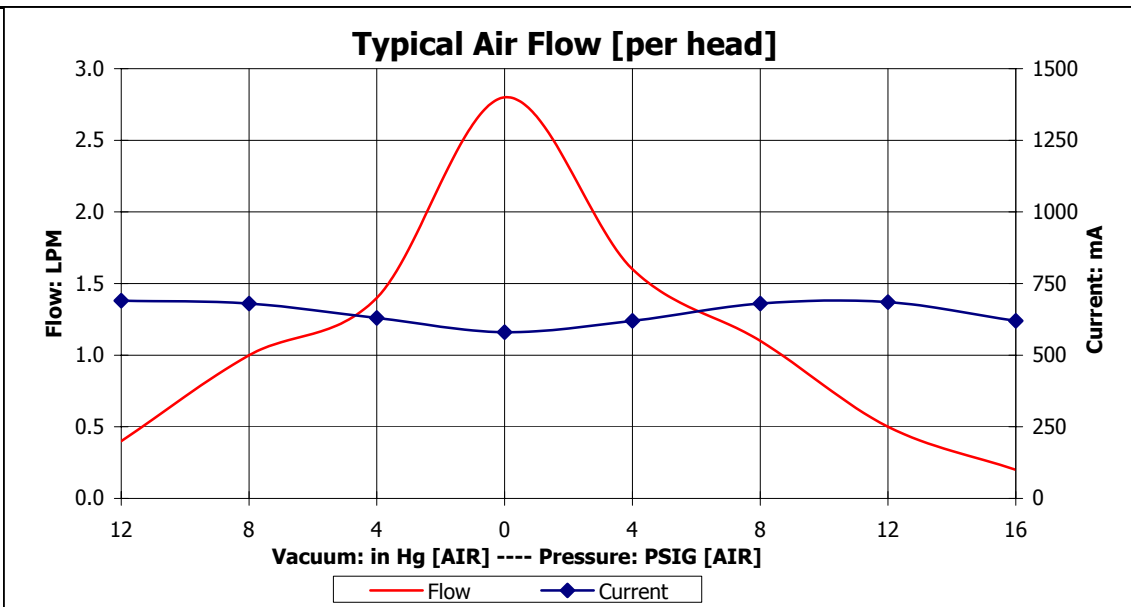
Dimensional Layout:



Specifications:

- | | | | | | |
|-------------------------------|------------------|--|----------------------------------|-------------------------------------|---------------------|
| 1. Wetted Materials: | Pump Head: | Vectra [LCP] | 3. Electrical: | Motor: | Brush, Dual Bearing |
| | Retainer Washer: | 2024 Alum [800/800] | | Operating Voltage: | 6.0 VDC |
| 2. Performance: | Retainer Screw: | 316 Stainless | In-rush Current: | 5 x Operating Current | for up to 50 ms |
| | Valves: | EPDM [Q55/Q55] | Recommended Fusing: | Slow Blow @ 2 x | |
| | Diaphragm: | AEPDM [F80/F80] | | Operating Current | |
| | Gasket: | EPDM [65/65] | | | |
| - Vacuum: in Hg [AIR] | Head 1: | <u>Continuous</u> 12.0 <u>Maximum</u> 15.0 | 4. Other: | Temperature Range: | 5 - 50° C |
| | Head 2: | 12.0 15.0 | | Free Flow RPM: | 3300 |
| - Pressure: PSIG [AIR] | Head 1: | 16.0 16.0 | 5. Operating Limitations: | Eccentric: | C430 |
| | Head 2: | 16.0 16.0 | | Not configured for series operation | |

V / P	Flow	Current
12	0.4	690
8	1.0	680
4	1.4	630
0	2.8	580
4	1.6	620
8	1.1	680
12	0.5	685
16	0.2	620



The above graph denotes nominal performance under the following conditions: 800' above sea level, 24°C, and at the specified voltage.

ST