

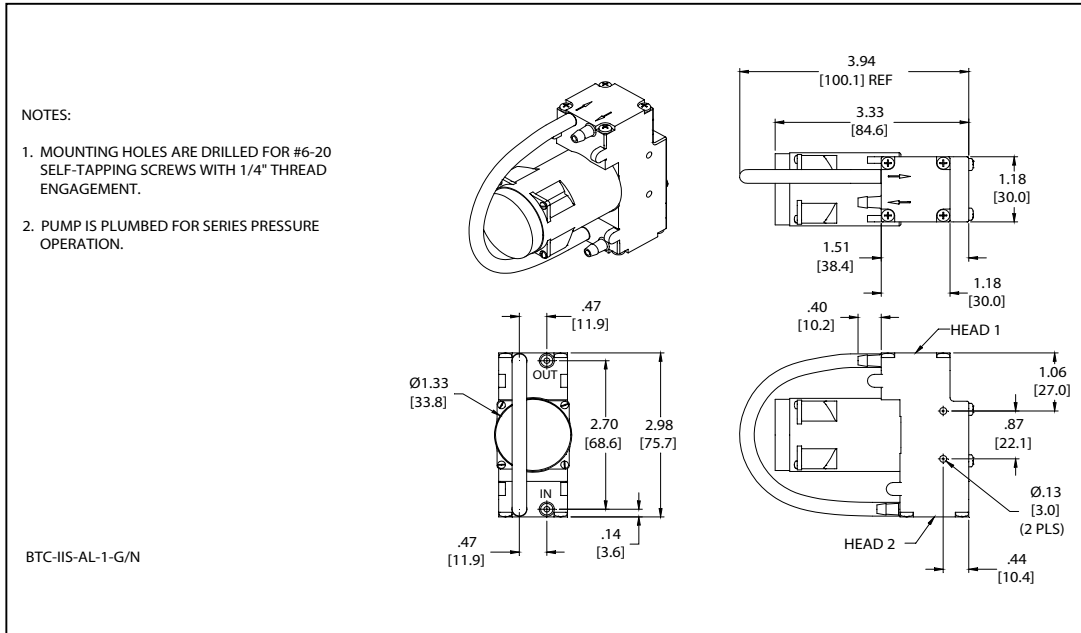


HARGRAVES

Mooresville, North Carolina 28117  
T: 704-662-3500 F: 704-662-8744  
www.hargraveshfluidics.com

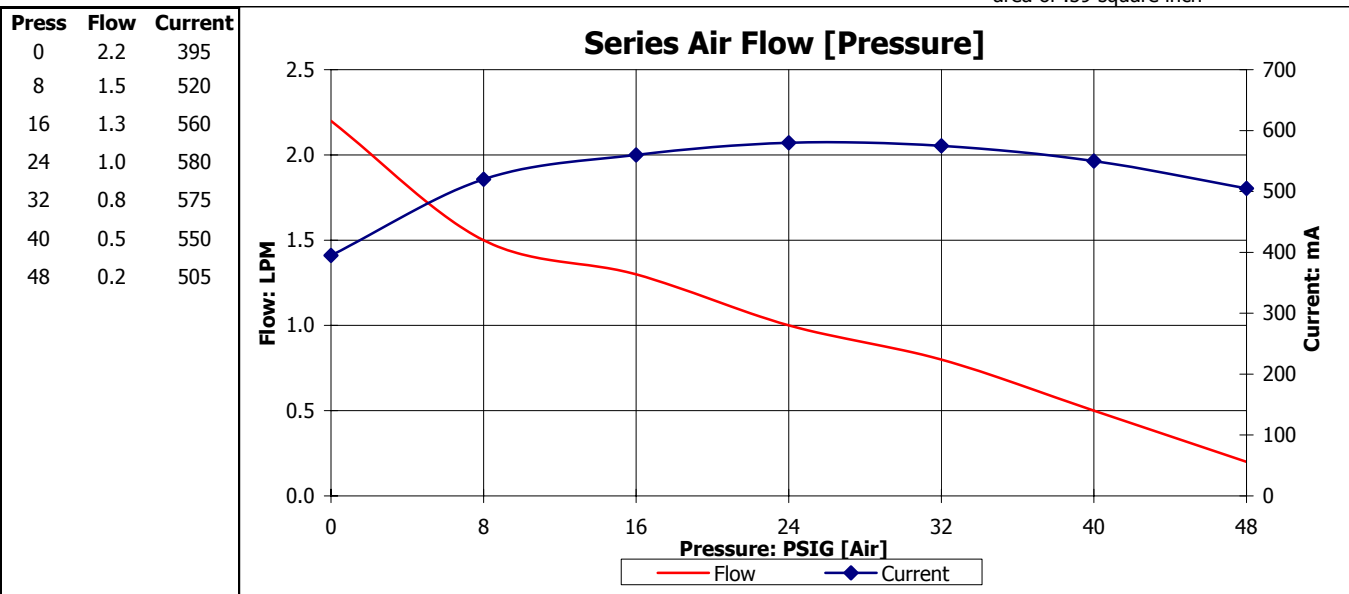
Part No.: **D760-23-01**  
Model No.: **C.1F20G1.1F20N1.A12VDC**  
Description: **BTC-IIS Diaphragm Pump,  
Long Stack Brushless Motor**

### Dimensional Layout:



### Specifications:

- |                             |                  |                     |                       |                                   |                                                            |
|-----------------------------|------------------|---------------------|-----------------------|-----------------------------------|------------------------------------------------------------|
| <b>1. Wetted Materials:</b> | Pump Head:       | Vectra [LCP]        | <b>3. Electrical:</b> | Motor:                            | Brushless, Dual Bearing                                    |
|                             | Retainer Washer: | 2024 Alum [700/800] |                       | Operating Voltage:                | 12.0 VDC                                                   |
|                             | Retainer Screw:  | 316 Stainless       |                       | In-rush Current:                  | 5 x Operating Current<br>for up to 50 ms                   |
|                             | Valves:          | AEPDM [Q80/Q80]     |                       | Recommended Fusing:               | Slow Blow @ 2 x<br>Operating Current                       |
|                             | Diaphragm:       | AEPDM [F80R/F80R]   |                       | Temperature Range:                | 5 - 50° C                                                  |
|                             | Gasket:          | EPDM [65]           |                       | Free Flow RPM:                    | 3600                                                       |
|                             |                  |                     |                       | Eccentric:                        | A375/A375                                                  |
| <b>2. Performance:</b>      |                  | <u>Continuous</u>   | <u>Maximum</u>        | <b>4. Other:</b>                  |                                                            |
| - Pressure PSIG:            | Series:          | 48.0                | 48.0                  | <b>5. Operating Limitations:</b>  | Not configured for vacuum operation                        |
|                             | [Air]            |                     |                       | <b>6. Recommended Filtration:</b> | 40 Micron media w/ minimum surface area of .59 square inch |



The above graph denotes nominal performance at 800' above sea level at 24 degrees C and at the specified voltage.

ST