

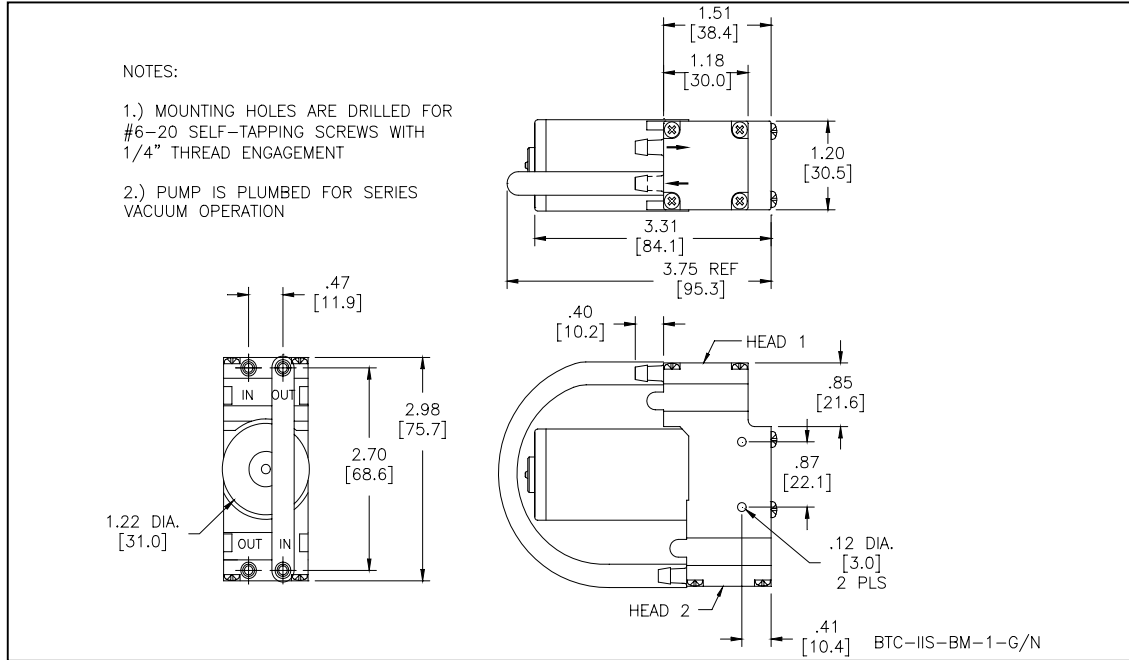


HARGRAVES

Mooresville, North Carolina 28117
T: 704-662-3500 F: 704-662-8744
www.hargravestfluidics.com

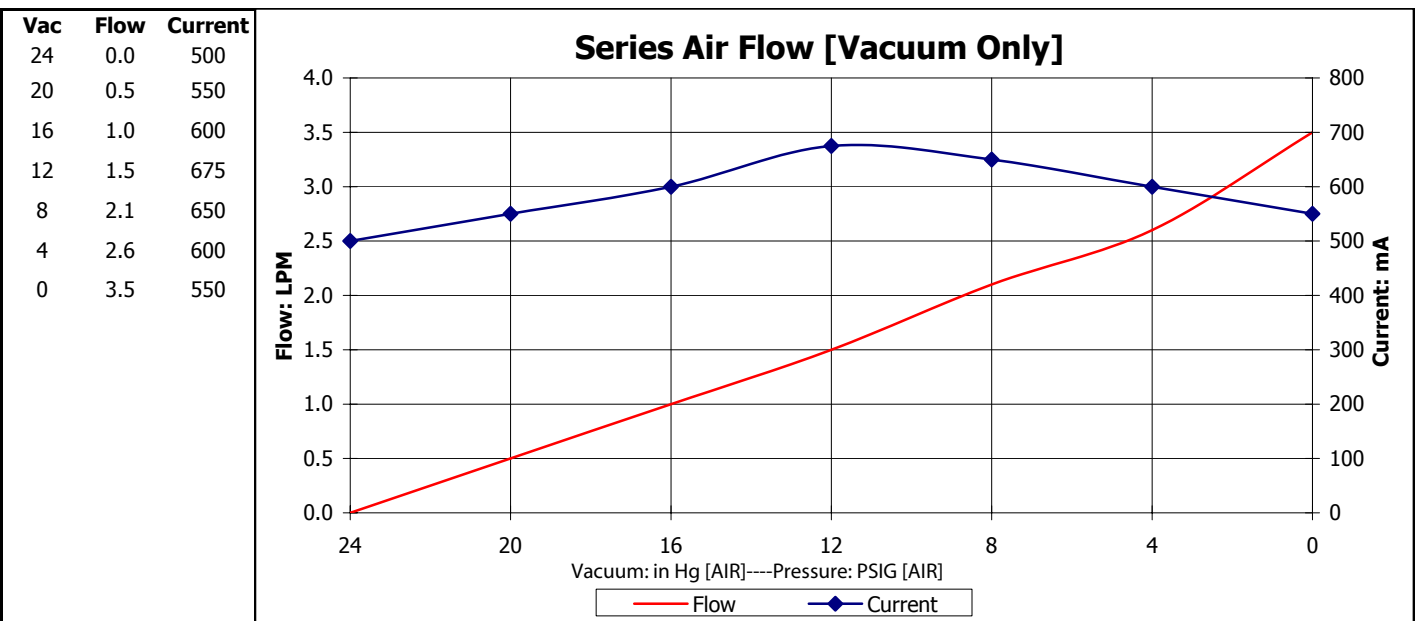
Part No.: **D743-22-01**
Model No.: **C.1F35G1.1F35N1.B12VDC**
Description: **BTC-IIS Diaphragm Pump, Brush Motor**

Dimensional Layout:



Specifications:

- | | | | | | |
|-----------------------------|------------------------------|--|----------------------------------|---|---------------------------------------|
| 1. Wetted Materials: | Pump Head: | Vectra [LCP] | 3. Electrical: | Motor: | Brush Dual Bearing |
| | Retainer Washer: | 2024 Alum [800/800] | | Operating Voltage: | 12.0 VDC |
| | Retainer Screw: | 316 Stainless | | In-rush Current: | 5 x Operating Current for up to 50 ms |
| | Valves: | EPDM [Q80/Q80] | | Recommended Fusing: | Slow Blow @ 2 x Operating Current |
| | Diaphragm: | AEPDM [F80/F80] | | | |
| | Gasket: | EPDM [65] | | | |
| 2. Performance: | | | 4. Other: | Temperature Range: | 5 - 50° C |
| | - Vacuum: in Hg [AIR] | Series: <u>Continuous</u> 24.0 <u>Maximum</u> 24.0 | | Free Flow RPM: | 3800 |
| | | | Eccentric: | C475/C475 | |
| | | | 5. Operating Limitations: | Not configured for series pressure operation. | |



The above graph denotes nominal performance at 800' above sea level, 24°C, and at the specified voltage.

ST