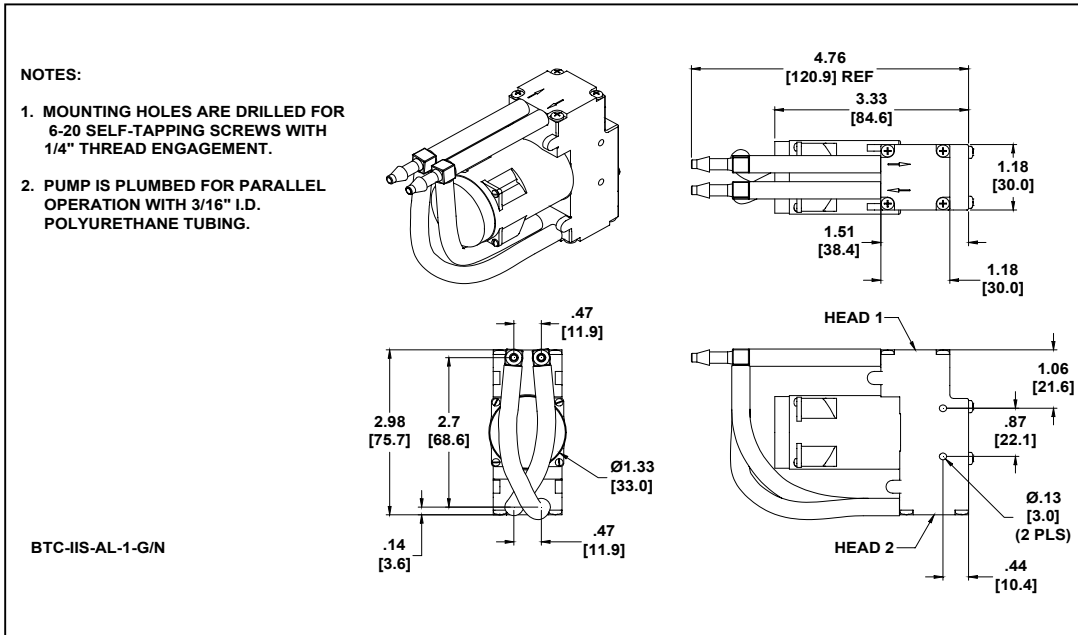
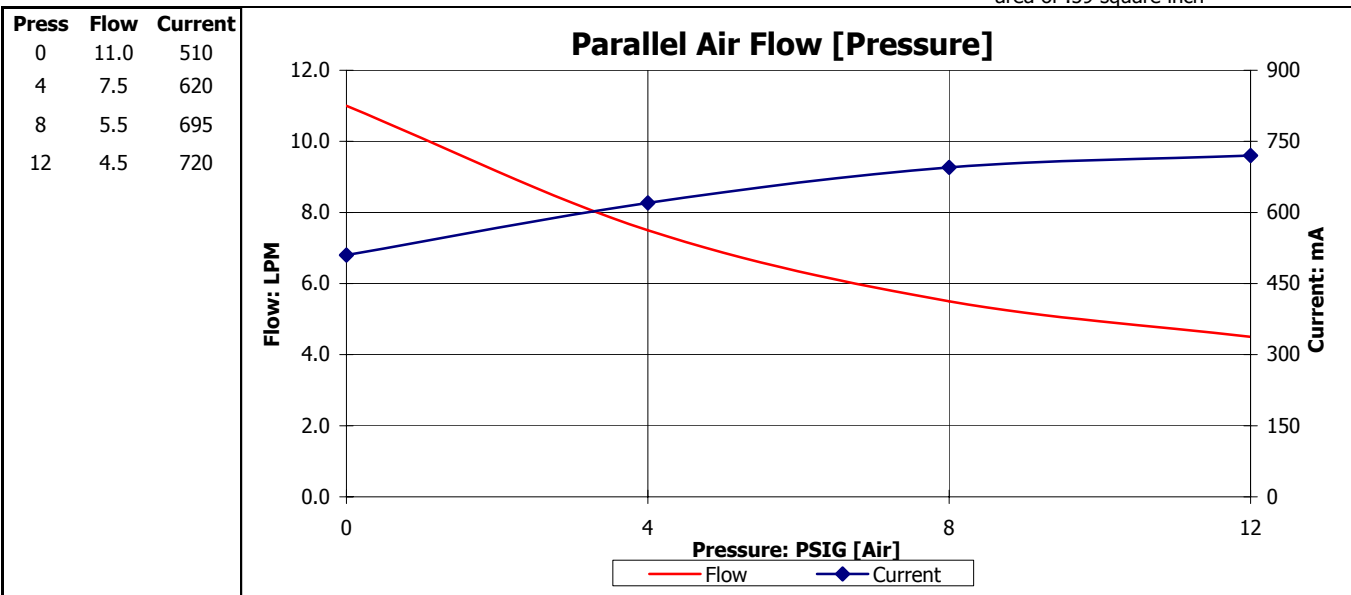


**Dimensional Layout:**



**Specifications:**

- |                             |                         |                     |                       |                     |                                       |                                                            |
|-----------------------------|-------------------------|---------------------|-----------------------|---------------------|---------------------------------------|------------------------------------------------------------|
| <b>1. Wetted Materials:</b> | Pump Head:              | Vectra [LCP]        | <b>3. Electrical:</b> | Motor:              | Brushless, Dual Bearing Longstack     |                                                            |
|                             | Retainer Washer:        | 2024 Alum [750/750] |                       | Operating Voltage:  | 24.0 VDC                              |                                                            |
|                             | Retainer Screw:         | 316 Stainless       |                       | In-rush Current:    | 5 x Operating Current for up to 50 ms |                                                            |
|                             | Valves:                 | AEPDM [Q80/Q80]     |                       | Recommended Fusing: | Slow Blow @ 2 x Operating Current     |                                                            |
|                             | Diaphragm:              | AEPDM [C80/C80]     |                       | Temperature Range:  | 5 - 50° C                             |                                                            |
|                             | Gasket:                 | EPDM[65]            | Free Flow RPM:        | 3700                |                                       |                                                            |
| <b>2. Performance:</b>      |                         | <u>Continuous</u>   | <u>Maximum</u>        | <b>4. Other:</b>    | Eccentric:                            | A900/A900                                                  |
|                             | <b>- Pressure PSIG:</b> | Parallel:           | 12.0                  |                     | 12.0                                  | <b>5. Operating Limitations:</b>                           |
|                             |                         |                     |                       |                     | <b>6. Recommended Filtration:</b>     | 40 Micron media w/ minimum surface area of .59 square inch |



The above graph denotes nominal performance at 800' above sea level at 24 degrees C and at the specified voltage.

**ST**