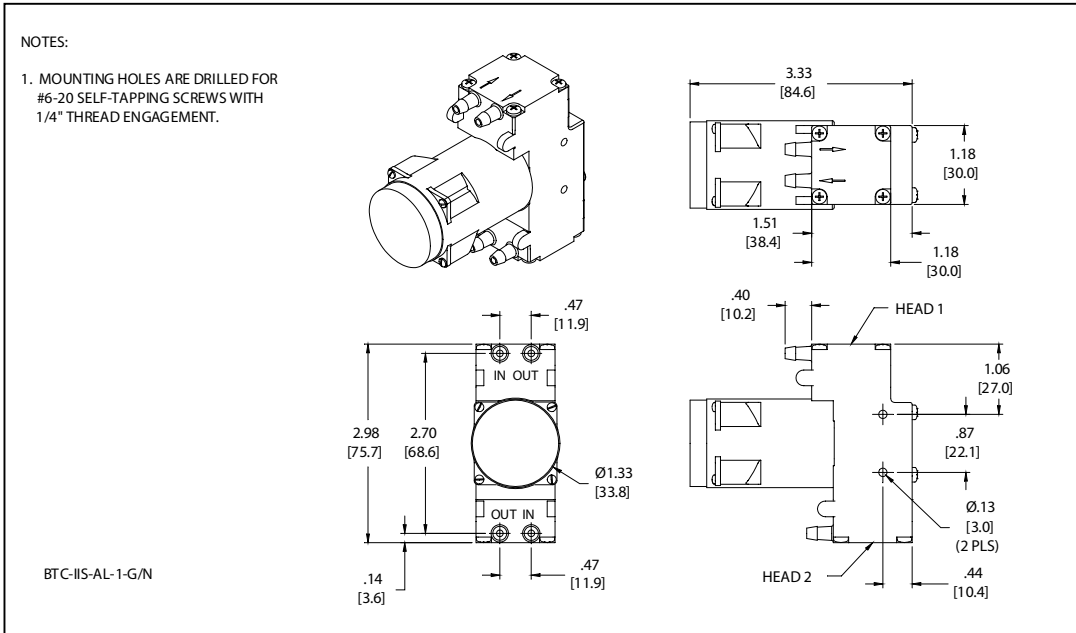




Mooreville, North Carolina 28117
 T: 704-662-3500 F: 704-662-8744
 www.hargravesfluidics.com

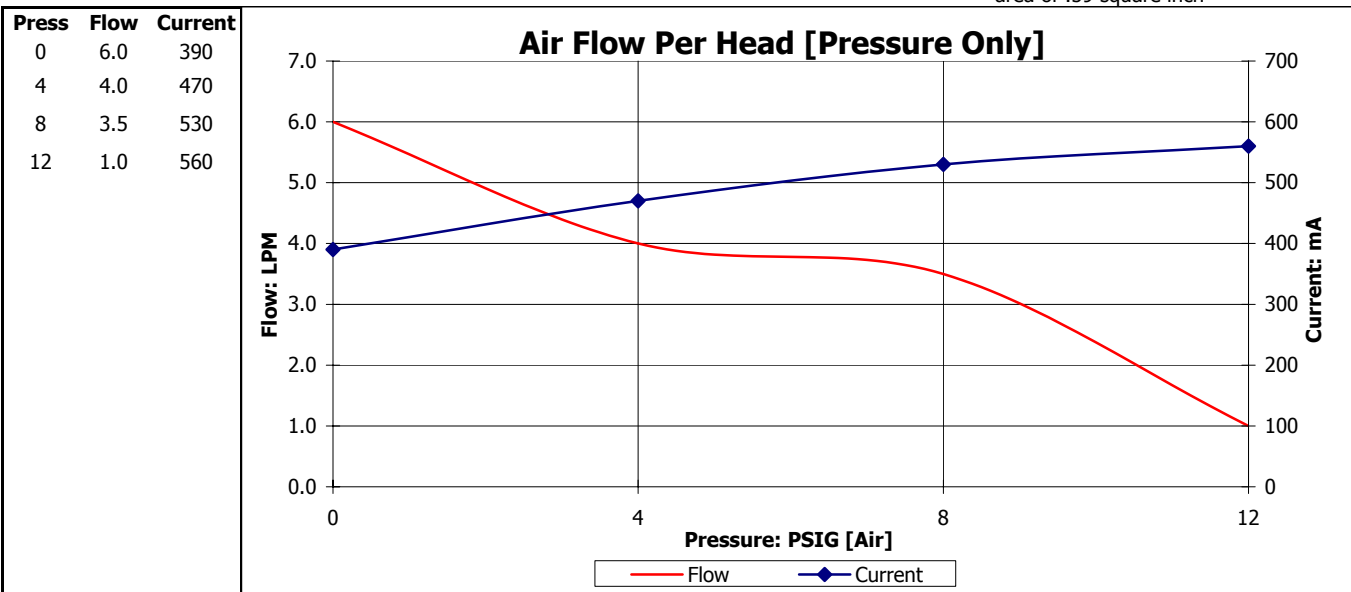
Part No.: **D736A-13**
 Model No.: **C.1C60G1.1C60N1.A24VDC**
 Description: **BTC-IIS Diaphragm Pump, Long Stack Brushless Motor**

Dimensional Layout:



Specifications:

- | | | | | | |
|-----------------------------|------------------|---------------------|-----------------------|---------------------|---------------------------------------|
| 1. Wetted Materials: | Pump Head: | Vectra [LCP] | 3. Electrical: | Motor: | Brushless, Dual Bearing |
| | Retainer Washer: | 2024 Alum [750/750] | | Operating Voltage: | 24.0 VDC |
| 2. Performance: | Retainer Screw: | 316 Stainless | 4. Other: | In-rush Current: | 5 x Operating Current for up to 50 ms |
| | Valves: | AEPDM [Q80/Q80] | | Recommended Fusing: | Slow Blow @ 2 x Operating Current |
| | Diaphragm: | AEPDM [C80/C80] | | Temperature Range: | 5 - 50° C |
| | Gasket: | EPDM[65] | | Free Flow RPM: | 3700 |
| | | | | Eccentric: | A900/A900 |
- 5. Operating Limitations:** Not configured for vacuum operation. Not configured for series pressure operation or pressures above 12 PSIG
- 6. Recommended Filtration:** 40 Micron media w/ minimum surface area of .59 square inch



The above graph denotes nominal performance at 800' above sea level at 24 degrees C and at the specified voltage.

ST