

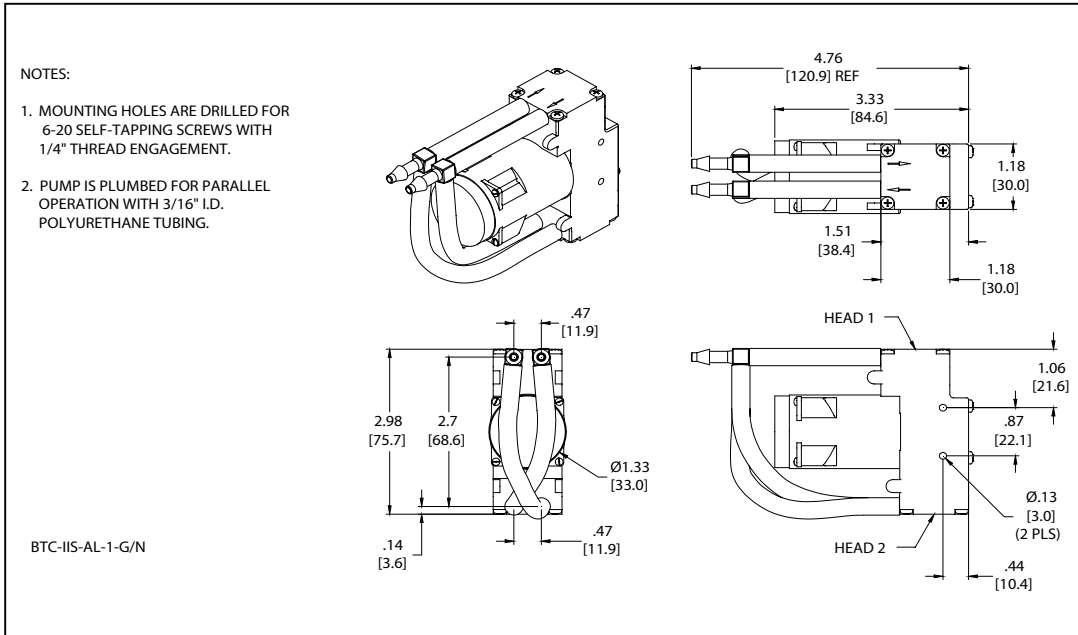


HARGRAVES

Mooresville, North Carolina 28117
T: 704-662-3500 F: 704-662-8744
www.hargravesfluidics.com

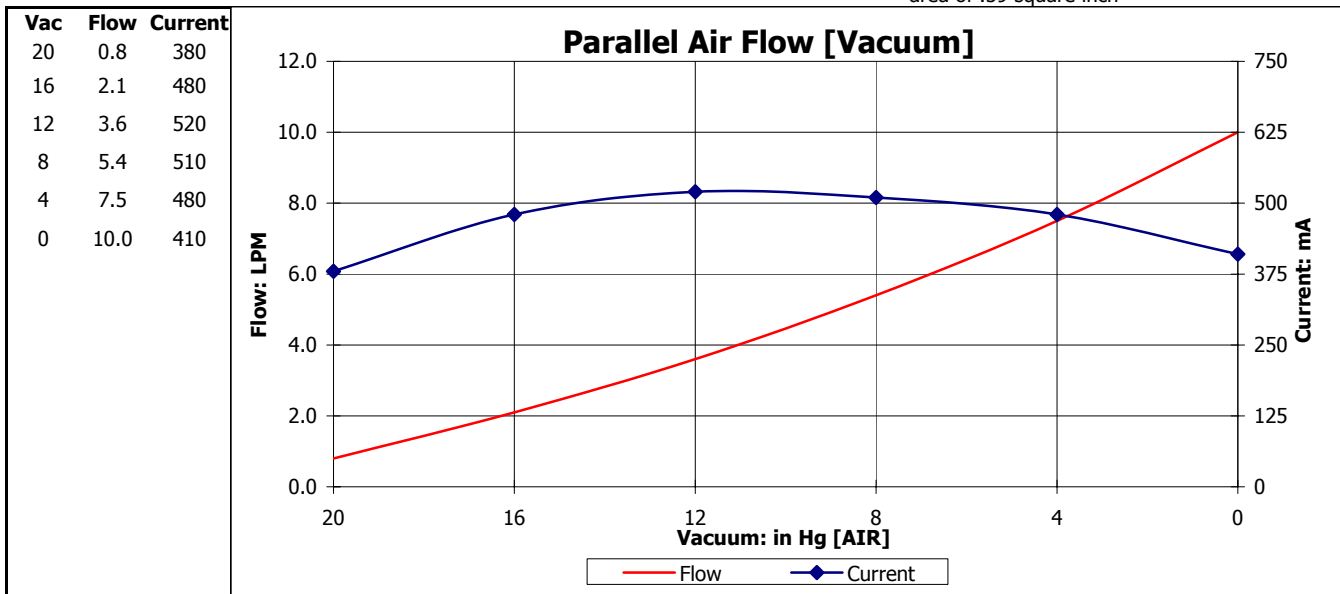
Part No.: **D736-22-02**
Model No.: **C.1C60G1.1C60N1.A24VDC**
Description: **BTC-IIS Diaphragm Pump,
Long Stack Brushless Motor**

Dimensional Layout:



Specifications:

- | | | | | | |
|------------------------------|------------------|---|----------------------------------|---|-------------------------|
| 1. Wetted Materials: | Pump Head: | Vectra [LCP] | 3. Electrical: | Motor: | Brushless, Dual Bearing |
| | Retainer Washer: | 2024 Alum [750/750] | | Operating Voltage: | 24.0 VDC |
| 2. Performance: | Retainer Screw: | 316 Stainless | 4. Other: | In-rush Current: | 5 x Operating Current |
| | Valves: | AEPDM [Q80/Q80] | | Recommended Fusing: | Slow Blow @ 2 x |
| | Diaphragm: | AEPDM [C80/C80] | | | Operating Current |
| | Gasket: | EPDM[65] | | Temperature Range: | 5 - 50° C |
| | | | | Free Flow RPM: | 3600 |
| - Vacuum: in Hg [AIR] | Parallel: | <u>Continuous</u> 8.0 <u>Maximum</u> 20.0 | Eccentric: | A900/A900 | |
| | | | 5. Operating Limitations: | Not configured for pressure operation | |
| | | | 6. Filtration: | Recommended: 40 Micron with minimum surface area of .59 square inch | |



The above graph denotes nominal performance at 800' above sea level at 24 degrees C and at the specified voltage.

ST