

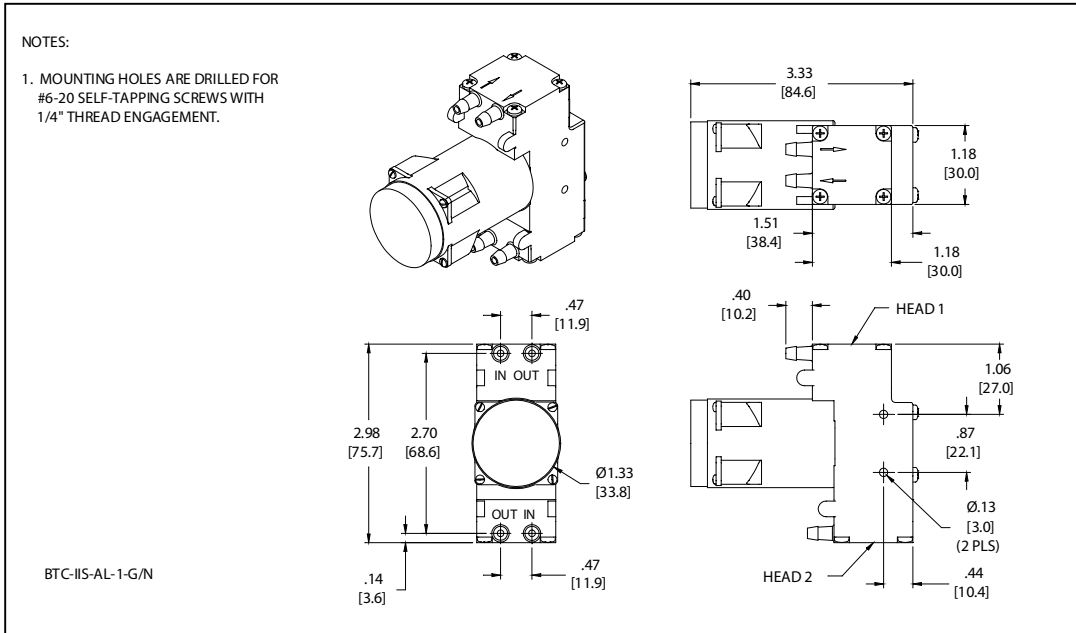


HARGRAVES

Mooresville, North Carolina 28117
T: 704-662-3500 F: 704-662-8744
www.hargravesfluidics.com

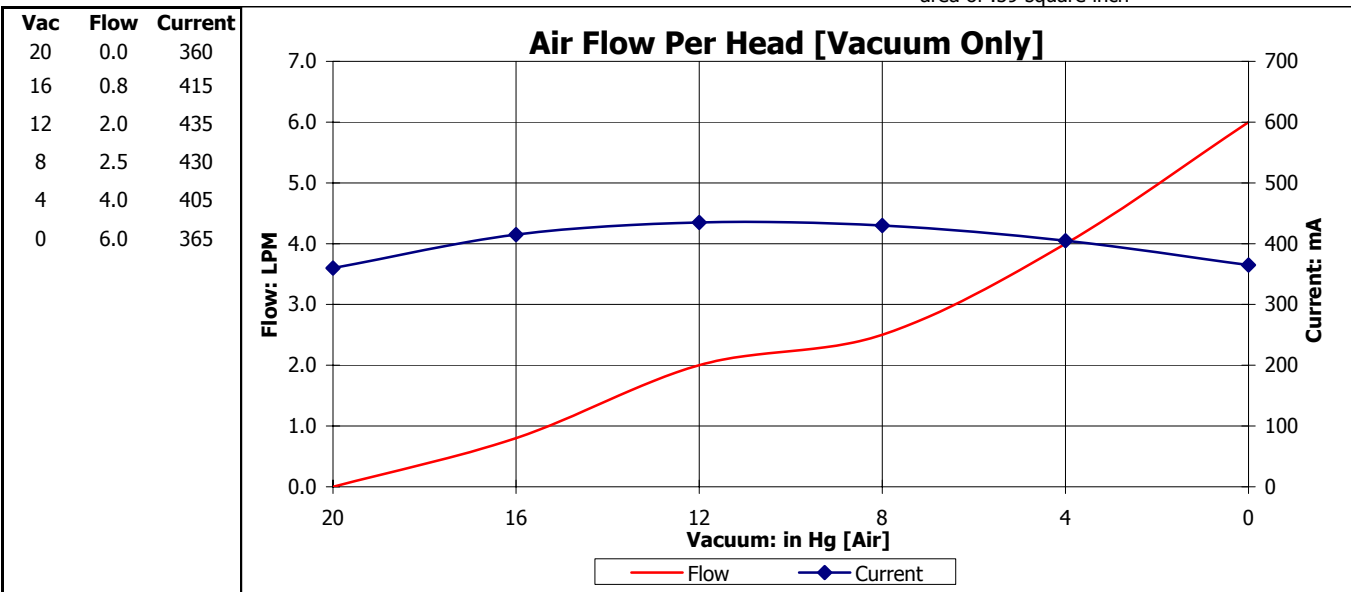
Part No.: **D736-12**
Model No.: **C.1C60G1.1C60N1.A24VDC**
Description: **BTC-IIS Diaphragm Pump,
Long Stack Brushless Motor**

Dimensional Layout:



Specifications:

- | | | | | | |
|-----------------------------|------------------|---------------------|-----------------------|-----------------------|-------------------------|
| 1. Wetted Materials: | Pump Head: | Vectra [LCP] | 3. Electrical: | Motor: | Brushless, Dual Bearing |
| | Retainer Washer: | 2024 Alum [750/750] | | Operating Voltage: | 24.0 VDC |
| 2. Performance: | Retainer Screw: | 316 Stainless | In-rush Current: | 5 x Operating Current | Longstack |
| | Valves: | AEPDM [Q80/Q80] | Recommended Fusing: | for up to 50 ms | Operating Current |
| | Diaphragm: | AEPDM [C80/C80] | Temperature Range: | 5 - 50° C | |
| | Gasket: | EPDM[65] | Free Flow RPM: | 3600 | |
| | | | Eccentric: | A900/A900 | |
-
- | | | | | |
|------------------|-------------------|----------------|----------------------------------|---------------------------------------|
| 4. Other: | <u>Continuous</u> | <u>Maximum</u> | 5. Operating Limitations: | Not configured for pressure operation |
| | | | | |
-
- | | | | | | | |
|-----------------------|------------------|--------------------|-----|------|-----------------------|---|
| 6. Filtration: | - Vacuum: | Per Head: | 8.0 | 20.0 | 6. Filtration: | Recommended: 40 Micron with minimum surface area of .59 square inch |
| | | in Hg [Air] | | | | |



The above graph denotes nominal performance at 800' above sea level at 24 degrees C and at the specified voltage.

ST