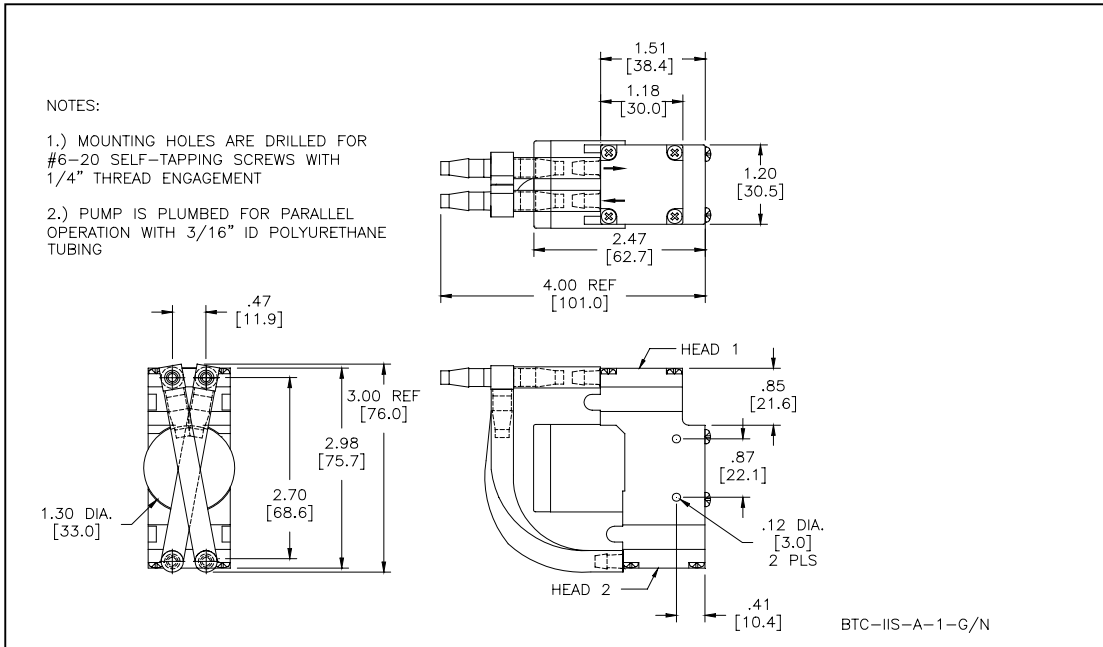
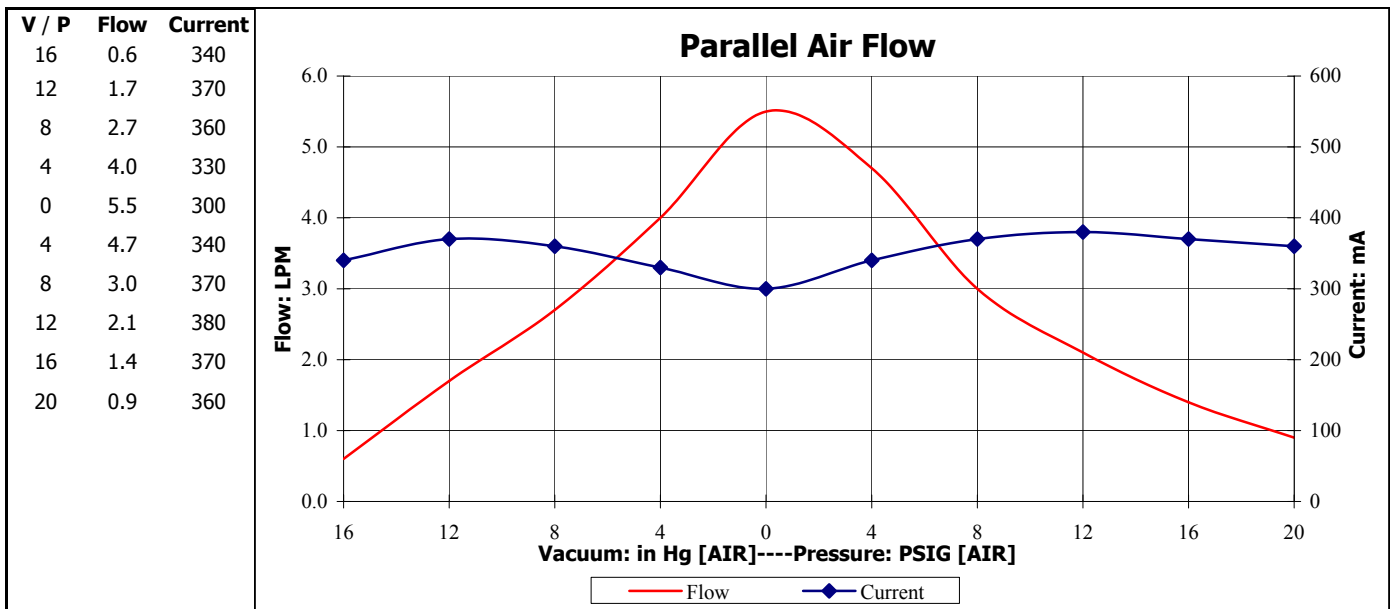


**Dimensional Layout:**



**Specifications:**

|                               |                              |                     |                       |                                  |                                       |                |
|-------------------------------|------------------------------|---------------------|-----------------------|----------------------------------|---------------------------------------|----------------|
| <b>1. Wetted Materials:</b>   | Pump Head:                   | Vectra [LCP]        | <b>3. Electrical:</b> | Motor:                           | Brushless Dual Bearing                |                |
|                               | Retainer Washer:             | 2024 Alum [800/800] |                       | Operating Voltage:               | 24.0 VDC                              |                |
|                               | Retainer Screw:              | 316 Stainless       |                       | In-rush Current:                 | 5 x Operating Current for up to 50 ms |                |
|                               | Valves:                      | EPDM [Q55/Q55]      |                       | Recommended Fusing:              | Slow Blow @ 2 x Operating Current     |                |
|                               | Diaphragm:                   | AEPDM [F80/F80]     |                       |                                  |                                       |                |
|                               | Gasket:                      | EPDM [65]           |                       |                                  |                                       |                |
| <b>2. Performance:</b>        |                              | <u>Continuous</u>   | <u>Maximum</u>        | <b>4. Other:</b>                 | Temperature Range:                    | 5 - 50° C      |
|                               | <b>- Vacuum: in Hg [AIR]</b> | Parallel:           | 18.0                  |                                  | 18.0                                  | Free Flow RPM: |
|                               |                              |                     |                       |                                  | Eccentric:                            | A475/A475      |
| <b>- Pressure: PSIG [AIR]</b> | Parallel:                    | 22.0                | 22.0                  | <b>5. Operating Limitations:</b> | Not configured for series operation   |                |



The above graph denotes nominal performance at 800' above sea level, 24°C, and at the specified voltage.

**ST**