

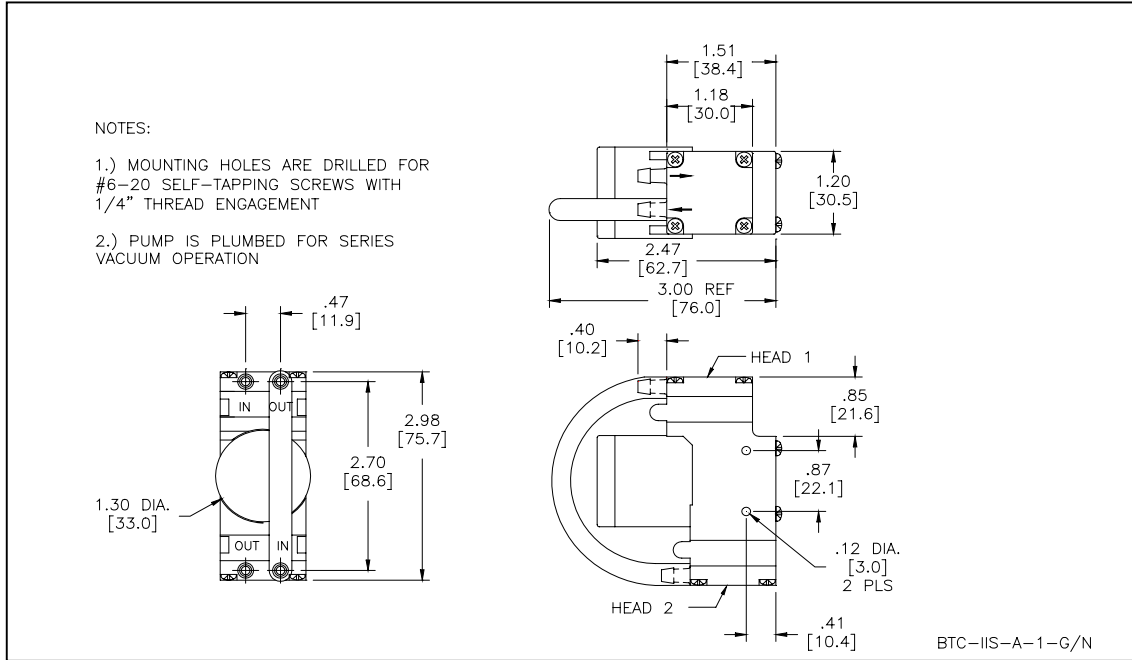


HARGRAVES

Mooresville, North Carolina 28117  
T: 704-662-3500 F: 704-662-8744  
www.hargravestfluidics.com

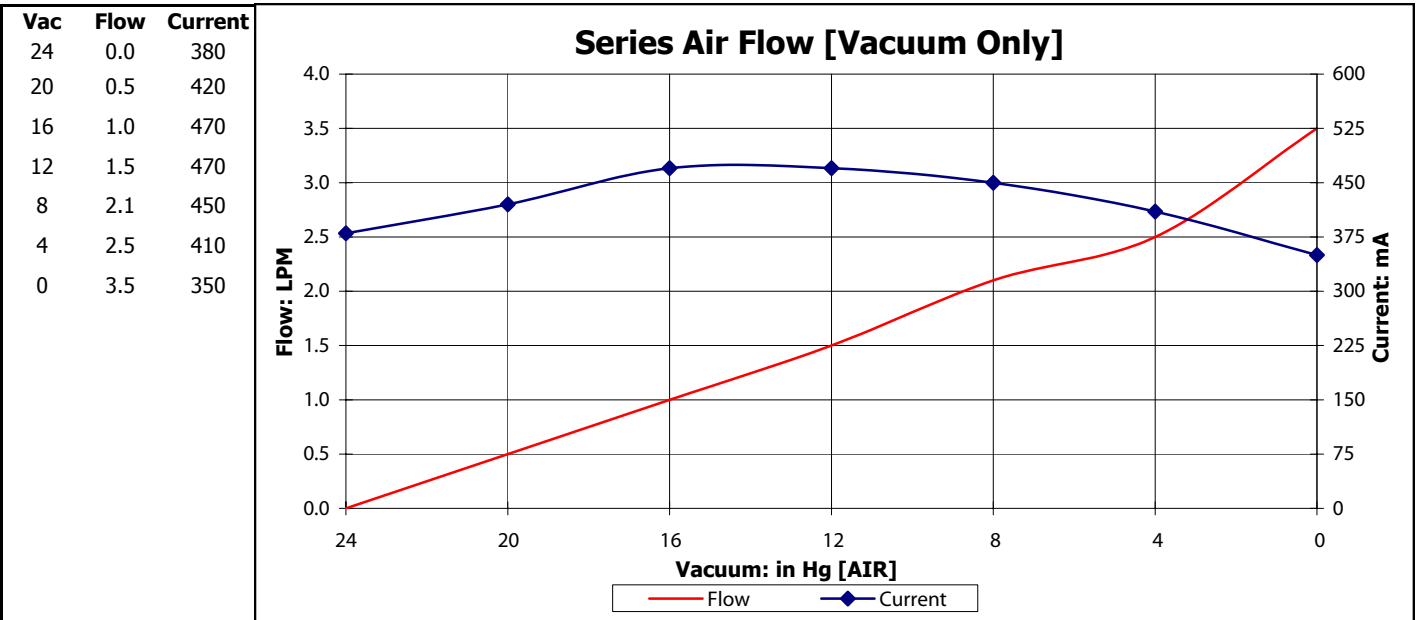
Part No.: **D713-22-01**  
Model No.: **C.1F35G1.1F35N1.A12VDC**  
Description: **BTC-IIS Diaphragm Pump, Brushless Motor**

### Dimensional Layout:



### Specifications:

- |                             |                              |                     |                       |                     |                                       |   |
|-----------------------------|------------------------------|---------------------|-----------------------|---------------------|---------------------------------------|---|
| <b>1. Wetted Materials:</b> | Pump Head:                   | Vectra [LCP]        | <b>3. Electrical:</b> | Motor:              | Brushless Dual Bearing                |   |
|                             | Retainer Washer:             | 2024 Alum [800/800] |                       | Operating Voltage:  | 12.0 VDC                              |   |
|                             | Retainer Screw:              | 316 Stainless       |                       | In-rush Current:    | 5 x Operating Current for up to 50 ms |   |
|                             | Valves:                      | EPDM [Q55/Q55]      |                       | Recommended Fusing: | Slow Blow @ 2 x Operating Current     |   |
|                             | Diaphragm:                   | AEPDM [F80/F80]     |                       |                     |                                       |   |
|                             | Gasket:                      | EPDM [65]           |                       |                     |                                       |   |
| <b>2. Performance:</b>      |                              | <u>Continuous</u>   | <u>Maximum</u>        | <b>4. Other:</b>    | Temperature Range:                    | 5 - 50° C                                     |
|                             |                              |                     |                       |                     | Free Flow RPM:                        | 3800  |
|                             | <b>- Vacuum: in Hg [AIR]</b> | Series:             | 24.0                  | 24.0                | Eccentric:                            | A475/A475                                     |
|                             |                              |                     |                       |                     | <b>5. Operating Limitations:</b>      | Not configured for series pressure operation. |



The above graph denotes nominal performance at 800' above sea level, 24°C, and at the specified voltage.

ST