

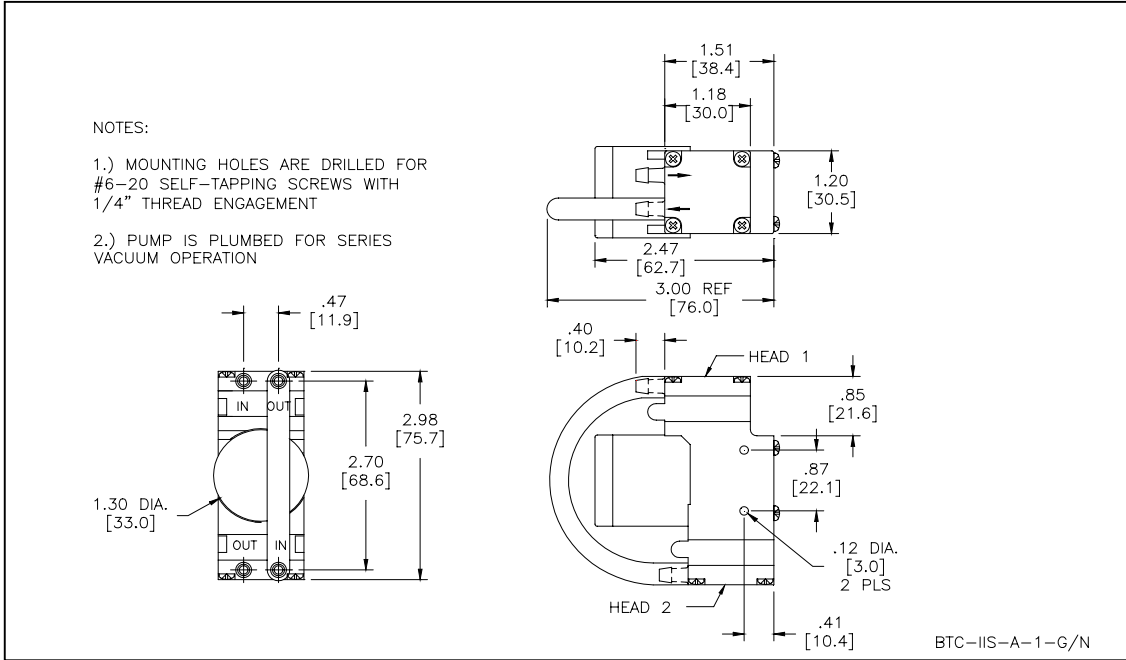


HARGRAVES

Mooresville, North Carolina 28117
T: 704-662-3500 F: 704-662-8744
www.hargravestfluidics.com

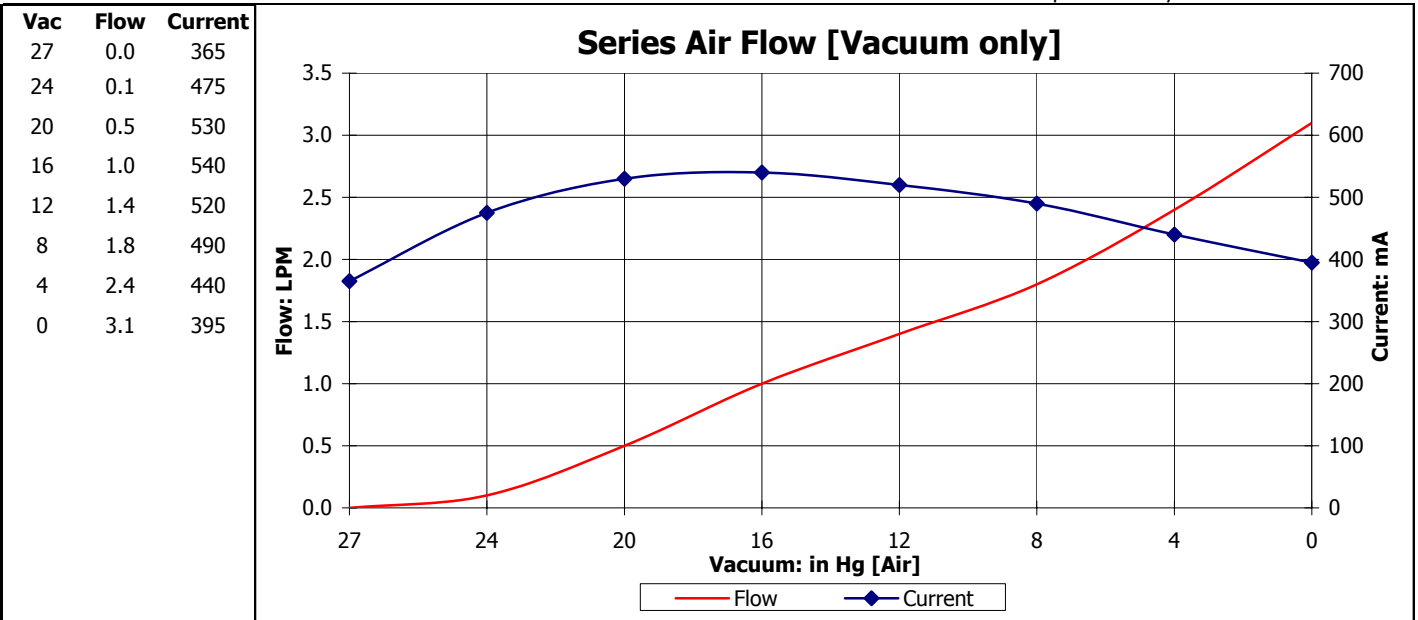
Part No.: **D754-22-01**
Model No.: **C.1F30G1.1F30N1.A12VDC**
Description: **BTC-IIS Diaphragm Pump, Brushless Motor**

Dimensional Layout:



Specifications:

- | | | | | | |
|-----------------------------|------------------|-------------------------|-----------------------|---------------------|---------------------------------------|
| 1. Wetted Materials: | Pump Head: | Vectra [LCP] | 3. Electrical: | Motor: | Brushless Dual Bearing |
| | Retainer Washer: | 303 Stainless [750/750] | | Operating Voltage: | 12.0 VDC |
| | Retainer Screw: | 316 Stainless | | In-rush Current: | 5 x Operating Current for up to 50 ms |
| | Valves: | AEPDM [80/80] | | Recommended Fusing: | Slow Blow @ 2 x Operating Current |
| | Diaphragm: | AEPDM [F80/F80] | | | |
-
- | | | | | | | |
|------------------------|------------------------------|-------------------|----------------|------------------|--------------------|----------------|
| 2. Performance: | | <u>Continuous</u> | <u>Maximum</u> | 4. Other: | Temperature Range: | 5 - 50° C |
| | - Vacuum: in Hg [AIR] | Series: | 27.0 | | 27.0 | Free Flow RPM: |
| | | | | | Eccentric: | A500/A500 |
- 5. Operating Limitations:** Configured for Series vacuum operation only



The above graph denotes nominal performance at 800' above sea level, 24°C, and at the specified voltage.