

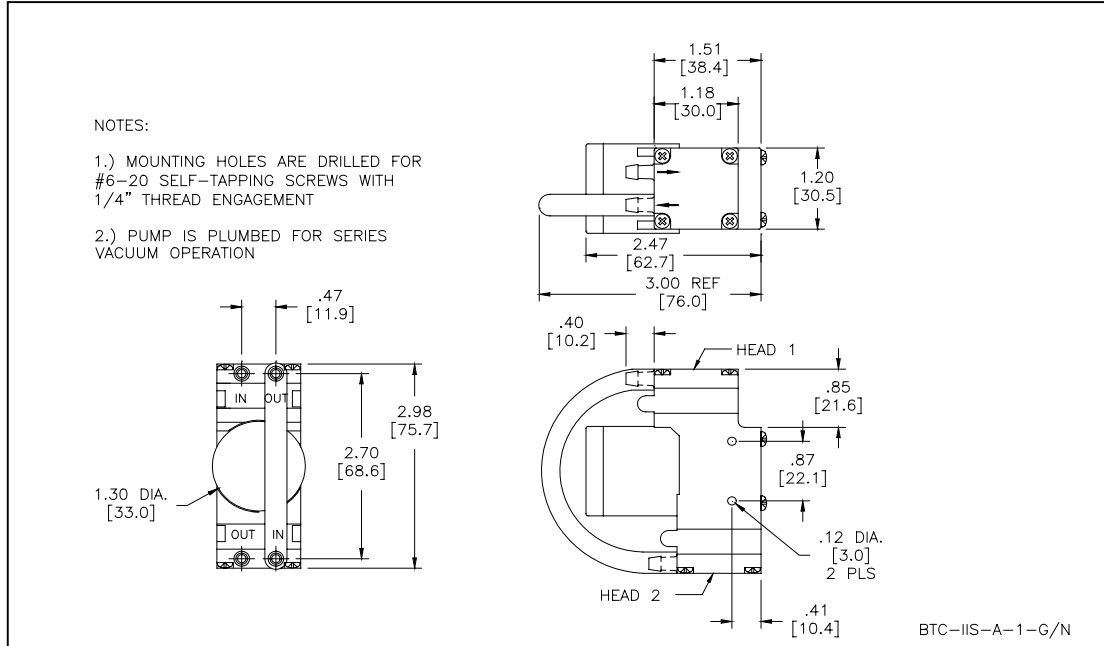


HARGRAVES

Mooresville, North Carolina 28117
T: 704-662-3500 F: 704-662-8744
www.hargraveshfluidics.com

Part No.: **D746-22-01**
Model No.: **C.1F30G1.1F30N1.A24VDC**
Description: **BTC-IIS Diaphragm Pump,
Brushless Motor**

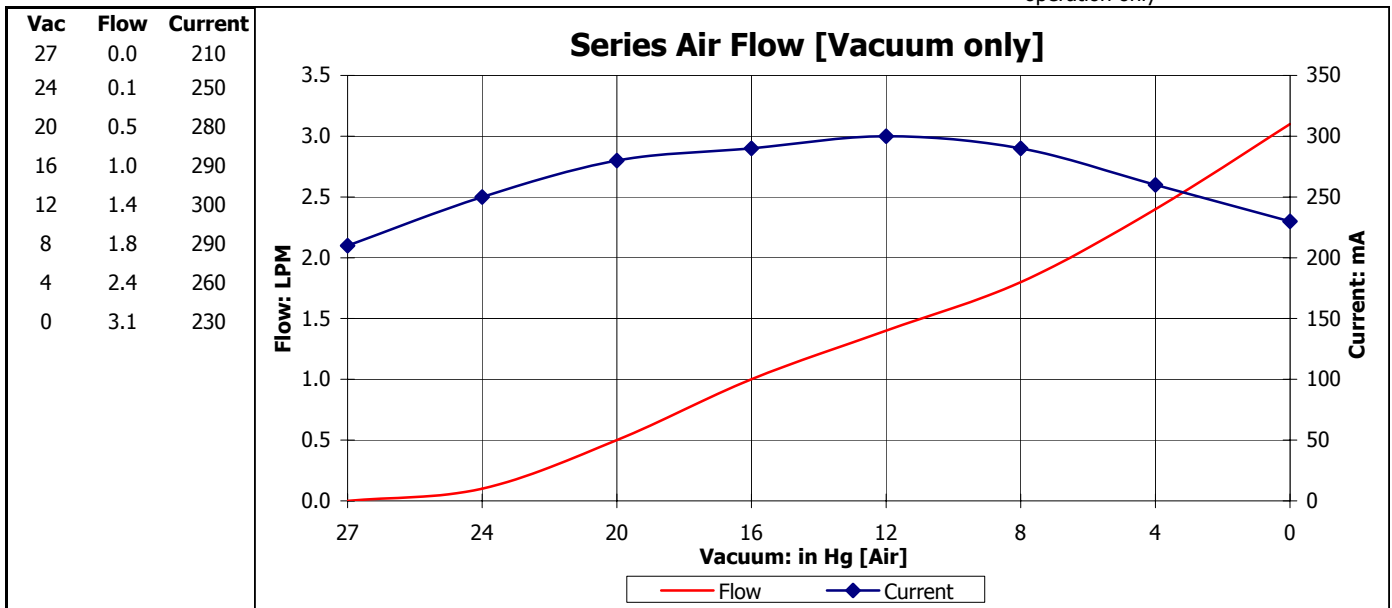
Dimensional Layout:



Specifications:

- | | | | | | | | |
|-----------------------------|------------------------|-------------------------|-----------------------|---------------------|--|----------------|------|
| 1. Wetted Materials: | Pump Head: | Vectra [LCP] | 3. Electrical: | Motor: | Brushless Dual Bearing | | |
| | Retainer Washer: | 303 Stainless [750/750] | | Operating Voltage: | 24 VDC | | |
| | Retainer Screw: | 316 Stainless | | In-rush Current: | 5 x Operating Current
for up to 50 ms | | |
| | Valves: | AEPDM [80/80] | | Recommended Fusing: | Slow Blow @ 2 x
Operating Current | | |
| | Diaphragm: | AEPDM [F80/F80] | | | | | |
| 2. Performance: | | | 4. Other: | Temperature Range: | 5 - 50° C | | |
| | - Vacuum: in Hg | Series: | | Continuous | 27.0 | Maximum | 27.0 |
| | [AIR] | | | | | Free Flow RPM: | 3500 |
| | | | | Eccentric: | A500/A500 | | |

5. Operating Limitations: Configured for Series vacuum operation only



The above graph denotes nominal performance at 800' above sea level, 24°C, and at the specified voltage.