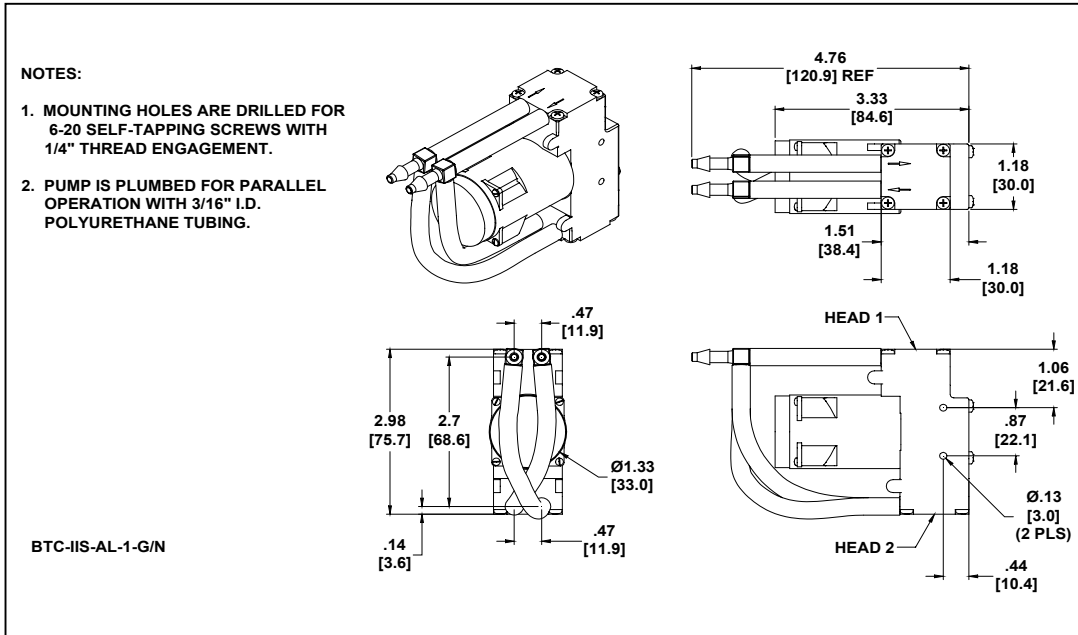
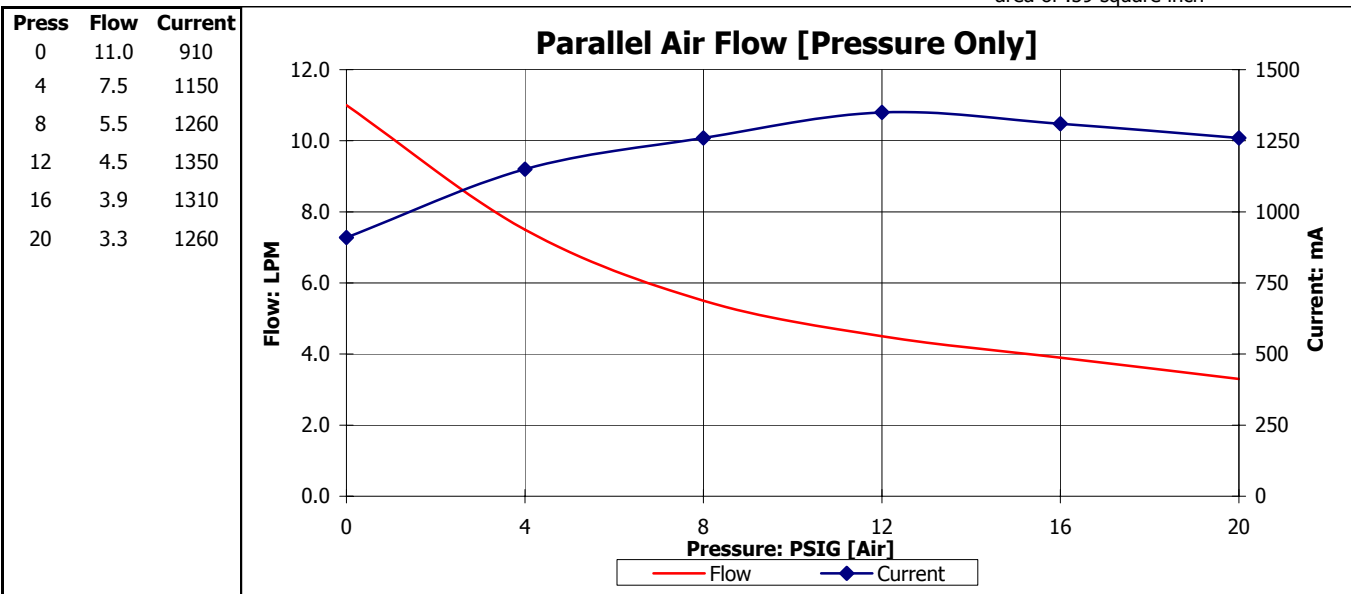


Dimensional Layout:



Specifications:

- | | | | | | |
|-------------------------------|------------------|---------------------|-----------------------------------|--|-------------------------|
| 1. Wetted Materials: | Pump Head: | Vectra [LCP] | 3. Electrical: | Motor: | Brushless, Dual Bearing |
| | Retainer Washer: | 2024 Alum [750/750] | | Operating Voltage: | 12.0 VDC |
| 2. Performance: | Retainer Screw: | 316 Stainless | In-rush Current: | 5 x Operating Current | Longstack |
| | Valves: | AEPDM [Q80/Q80] | Recommended Fusing: | Slow Blow @ 2 x Operating Current | for up to 50 ms |
| - Pressure: PSIG [AIR] | Diaphragm: | AEPDM [C80/C80] | Temperature Range: | 5 - 50° C | |
| | Gasket: | EPDM [65] | Free Flow RPM: | 3600 | |
| | | | Eccentric: | A900/A900 | |
| | | | 5. Operating Limitations: | Not configured for vacuum operation | |
| | | | 6. Recommended Filtration: | 40 Micron media w/ minimum surface area of .59 square inch | |



The above graph denotes nominal performance at 800' above sea level at 24 degrees C and at the specified voltage.

ST