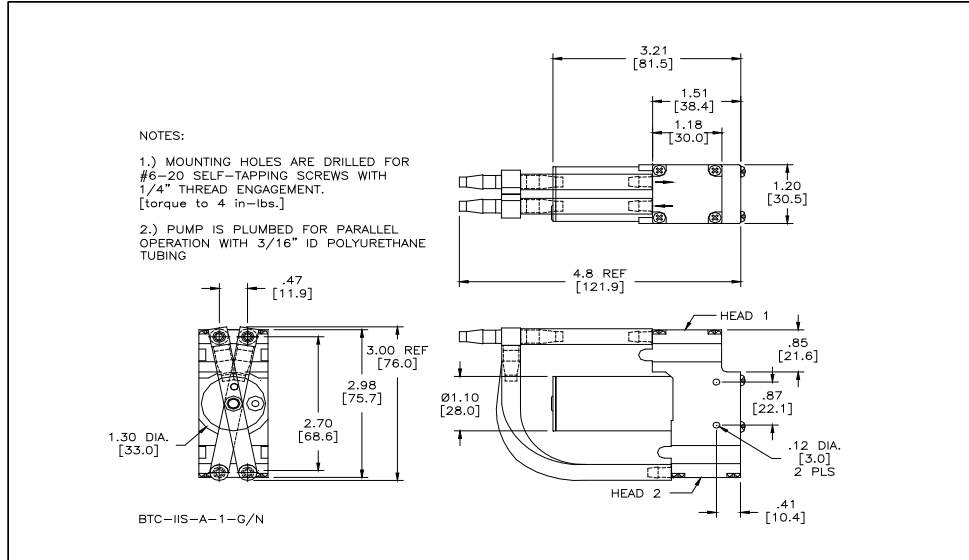




Part No.: **D1008-21-01**
 Model No.: **C.1F25G1.1F25N1.A12VDC**
 Description: **BTC-IIS Diaphragm Pump, Brushless Motor**

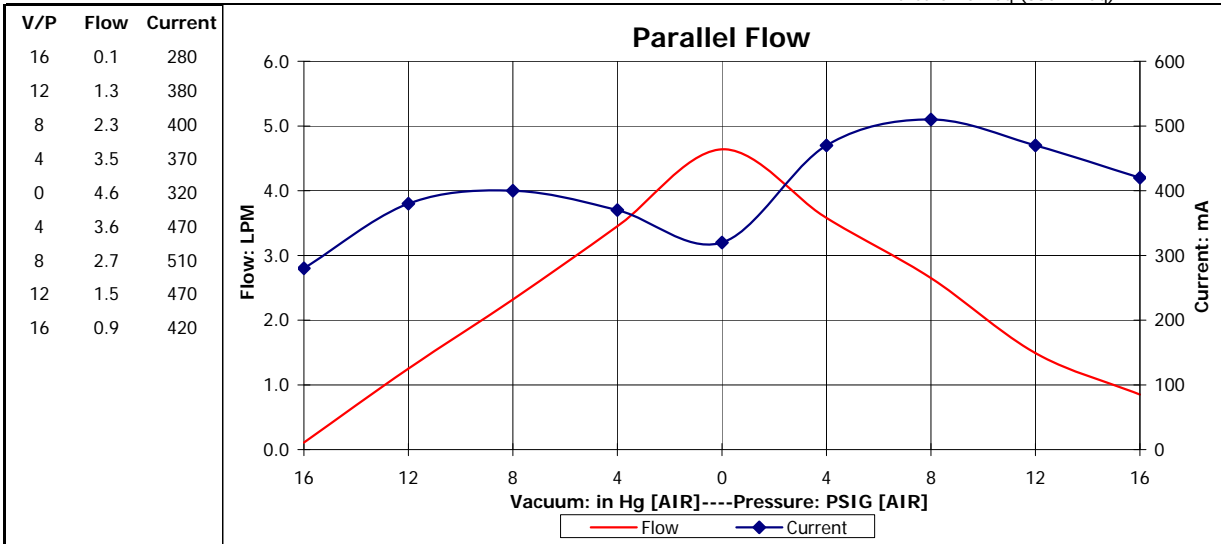
Mooresville, North Carolina 28117
 T: 704-662-3500 F: 704-662-8744
 www.hargravesfluidics.com

Dimensional Layout:



Specifications:

- | | | | | | | | |
|-----------------------------|------------------------|---------------------|-----------------------|---------------------|---------------------------------------|---|-----------|
| 1. Wetted Materials: | Pump Head: | Vectra [LCP] | 3. Electrical: | Motor: | BLDC Dual Bearing | | |
| | Retainer Washer: | 2024 Alum [800/800] | | Operating Voltage: | 12.0 VDC | | |
| | Retainer Screw: | 316 Stainless | | In-rush Current: | 5 x Operating Current for up to 50 ms | | |
| | Valves: | EPDM [Q55/Q55] | | Recommended Fusing: | Slow Blow @ 2 x Operating Current | | |
| | Diaphragm: | AEPDM [F80/F80] | | | | | |
| Gasket: | EPDM [65] | | | | | | |
| 2. Performance: | | <u>Continuous</u> | <u>Maximum</u> | 4. Other: | Temperature Range: | 5 - 50° C | |
| | - Vacuum: in Hg [AIR] | Head 1: | 16.0 | | 16.0 | Free Flow RPM: | 3400 |
| | | Head 2: | 16.0 | | 16.0 | Eccentric: | A475/A475 |
| | - Pressure: PSIG [AIR] | Head 1: | 16.0 | 20.0 | 5. Operating Limitations: | Not configured for series pressure operation. | |
| | | Head 2: | 16.0 | 20.0 | | | |
| | | | | | 6. Recommended Filtration: | 40 Micron media w/ a minimum surface area of .59"Sq (380mmSq) | |



The above graph denotes nominal performance at 800' above sea level, 24°C, and at the specified voltage.

PR